

**COMPACT 24”
4 SHAFTS
1022-0000**



1573 Savoie
C. P. 4
Plessisville, Qc.
G6L 2Y6

TEL: 819-362-7207
FAX: 819-362-2045

www.leclerclooms.com
info@leclerclooms.com



On receiving the loom, unpack and lay out the loom components. Do NOT discard any packing material until all parts are inventoried.

Check the parts received against the parts list on pages #2 to #6 of the assembly instructions. Report any discrepancies to Leclerc immediately.

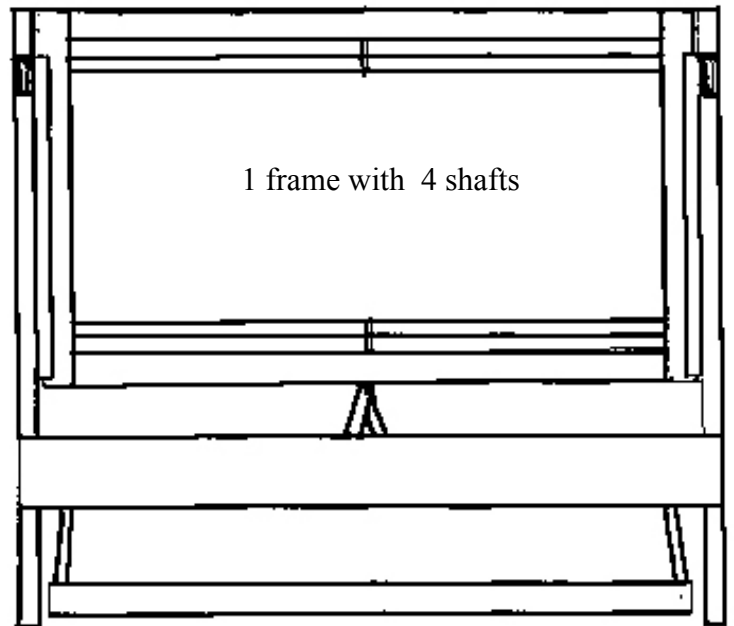
To assemble this loom, a minimum of 2 people are needed but it is recommended you use 3.

Loom Prepared by: _____

Inspected by: _____

Date: _____

Pare-chocs sous cadres aminci



10½"



600 heddles 10½"



1 threading hook



1 red screwdriver & 1 Black



1 crank (Octagonal)

Note for Leclerc in French :
Enfiler les rondelles 3/16"
dans chaque cordes et attacher
par paquet de 12 cordes.



12 treadle cords 9" with
washers 1/8" X 3/16"



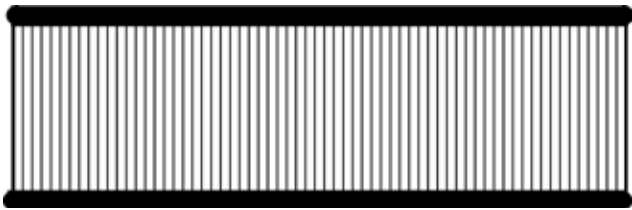
1 - 5 yard cord
2 - 10 yard cords



1 boat shuttle (6122-1000)



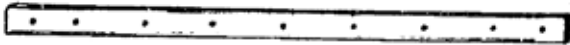
1 adjustable wrench



1 reed



2 lease sticks 25" (metal)



2 beam sticks 24½" (metal)



2 warp rods (metal)

Cable de frein 25 1/16"
Installer roulettes

1 right hand side front post (with brake cable) 44"



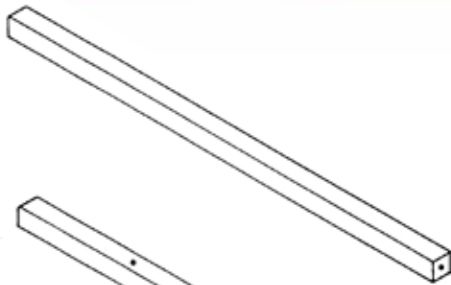
1 left hand side front post 44"



1 right hand side rear post 44"



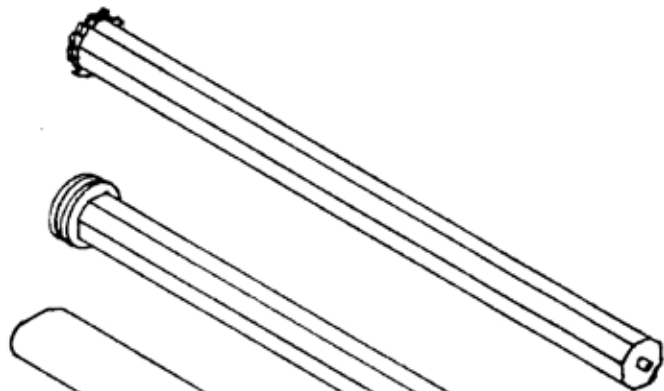
1 left hand side rear post 44"



1 lower rear cross-member 30½"



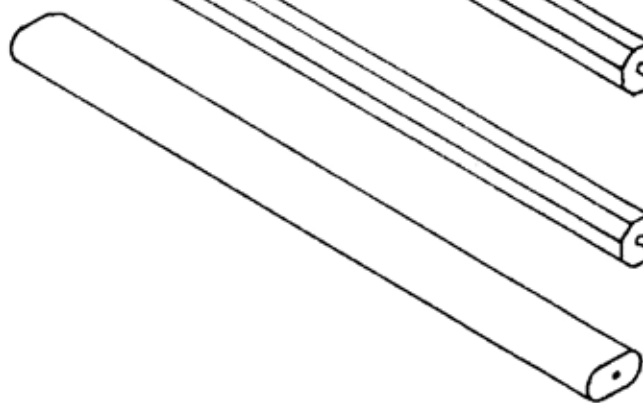
1 treadle cross-member 29"



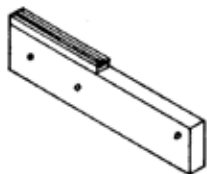
1 cloth beam 25"



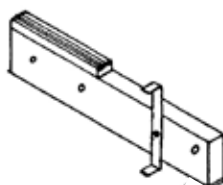
1 warp beam 28 9/16"



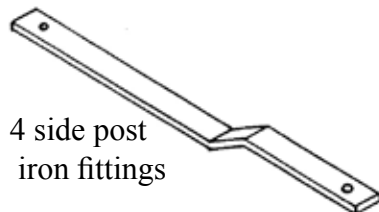
1 thread beam 29 1/2"



1 left hand side cloth beam support




1 right hand side cloth beam support with ratchet pawl 10 1/2"



4 side post iron fittings



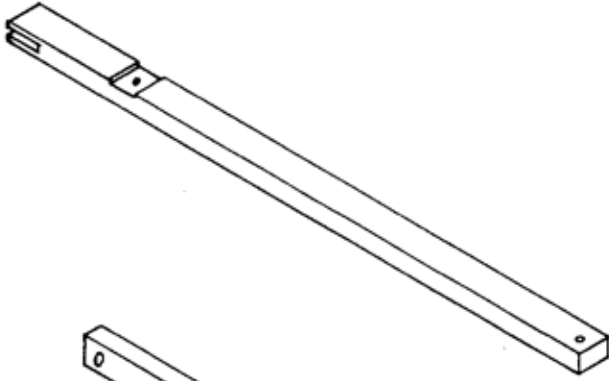
3 treadle blocks

2 Wood pegs 1/2" x 1 3/4"  Installed

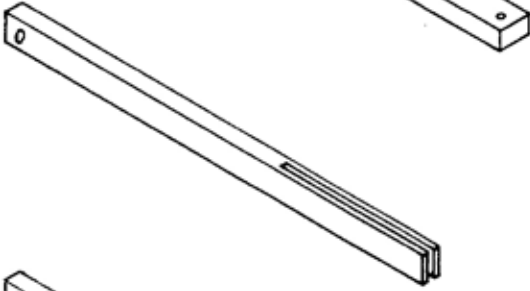


1 take-up motion handle with 12" loop cord + 1 eyescrew

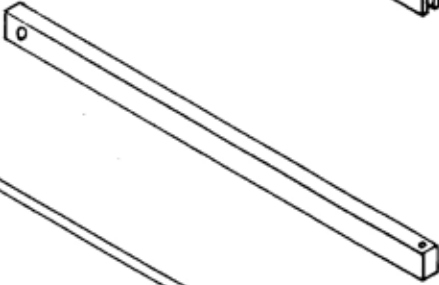
LECLERC NOTE:
Oeillet légèrement ouvert



2 batten swords 27 $\frac{1}{4}$ "



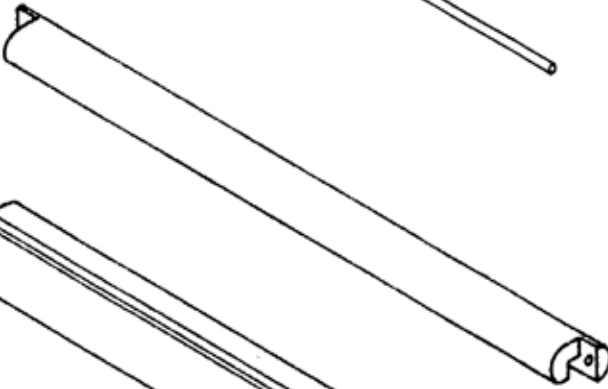
6 treadles 20"



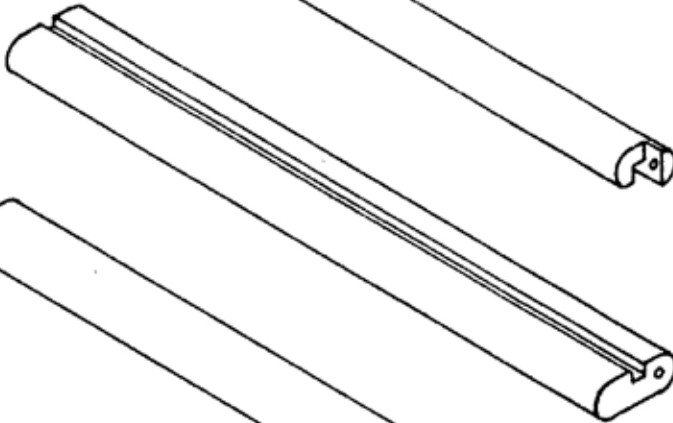
1 brake treadle 20"



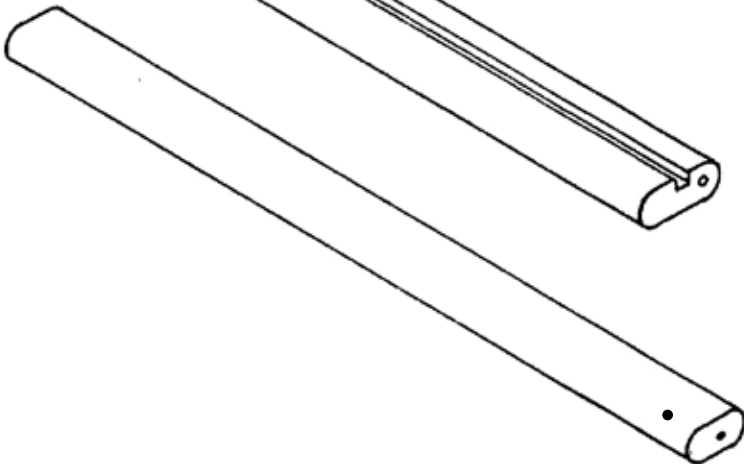
1 treadle rod 5/16" x 30"



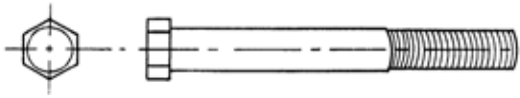
1 batten handtree 29"



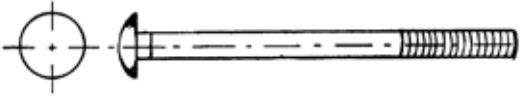
1 batten sley 27 $\frac{3}{4}$ "



1 breast beam 31"



Machine bolts
1 X - 5/16" x 3"



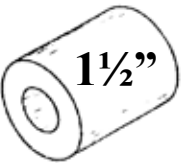
Carriage Bolts
2 X - 1/4" x 2 3/4" (6mm x 70mm)
2 X - 5/16 x 2 3/4" (8mm x 70mm)
2 X - 5/16" x 2" (8mm x 50mm)



Metal Washers
4 X - 3/16"
6 X - 5/16"
2 X - 1/4"
Plastic washers
2x - 3/16"



HEXAGON NUTS
4X- Nylon auto lock 5/16"
(8mm)



1 1/2" 4 X Wooden spacer



Nylon Wing nut for the Warp beam advance control system



Wing nuts
2 X - 1/4" (6 mm)



Round head screw
9 X - #14 x 2" (50mm)
8 X - #14 x 1 1/2" (40mm)
4 X - #12 x 3/4" (20mm)



1 loop cords 24" for the brake treadle



2 black handles installed on frame



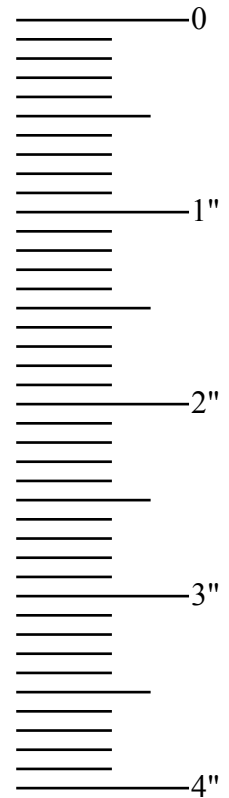
1 DVD Instruction Video showing all stages of installation.



4x push nuts 5/16"
for treadle set rod



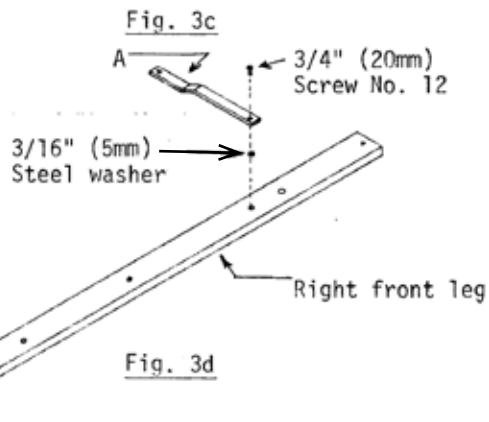
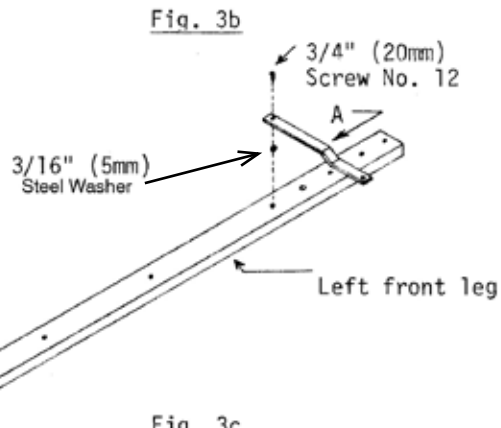
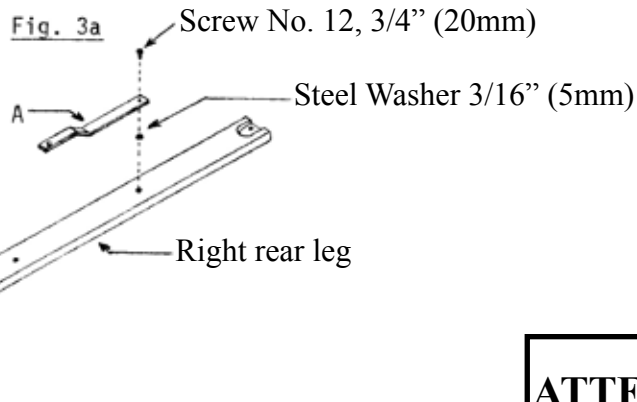
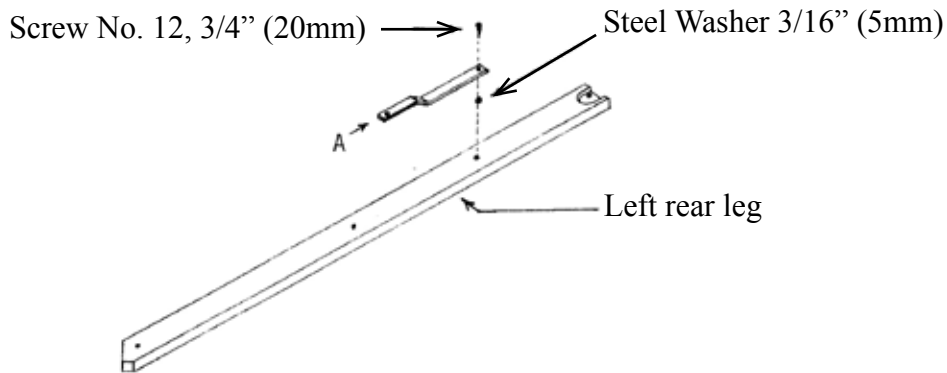
1 book Warp & Weave



Fix an iron fitting A on each of the 4 legs . Make sure they are positioned exactly as shown in the diagram below.

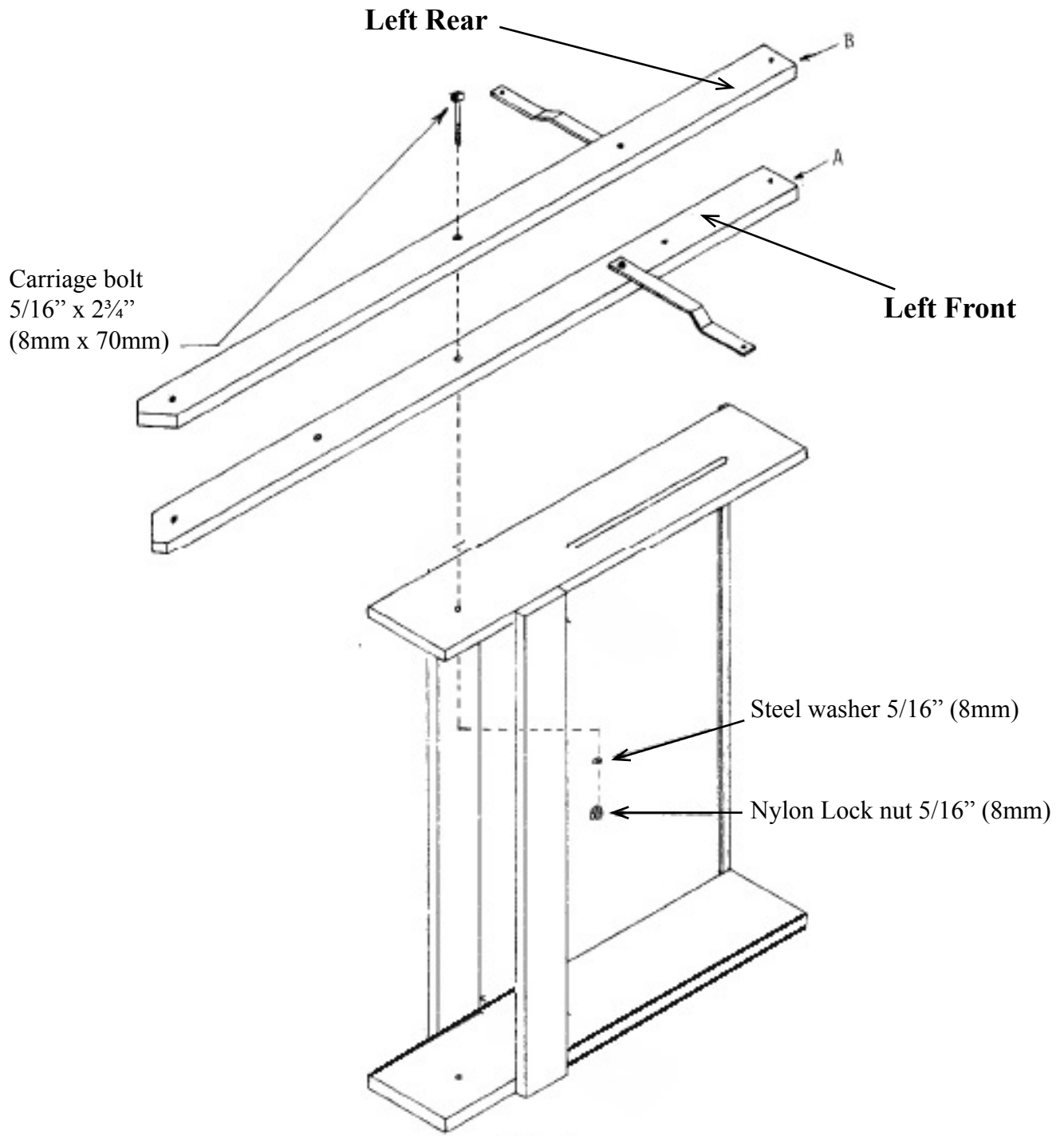
Put a 3/16" (5mm) steel washer between the iron fitting and the leg. Screw them in using the 3/4" (20mm) round-headed screw No. 12. Do not over tighten so the iron can move freely.

The screw must be inserted into the smallest hole of the iron fitting.



ATTENTION:
Application
of soap to the
screws will
make their
insertion
easier.

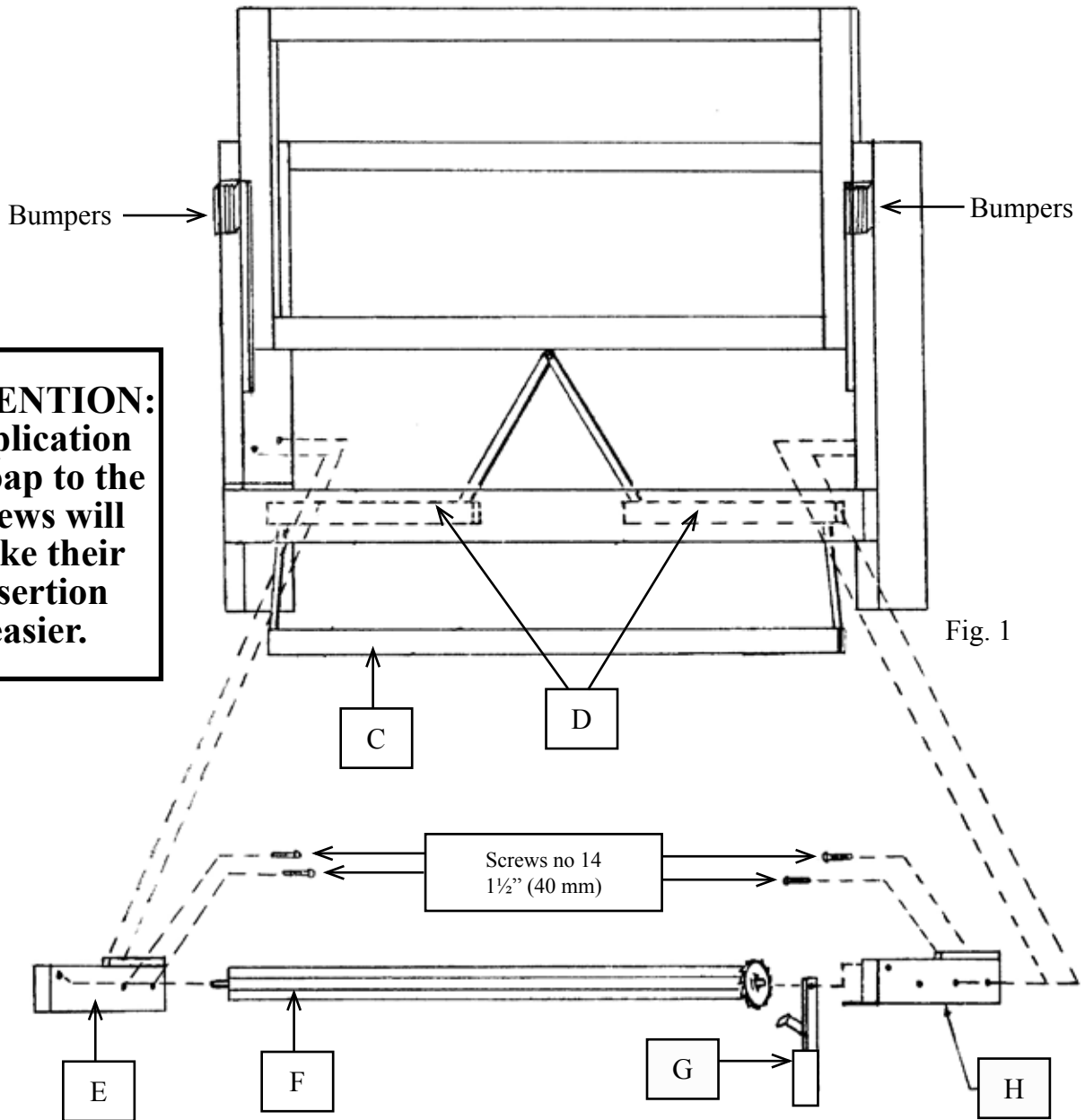
Place the loom frame on its right side. Fix the left front A and rear B legs to the left side of the frame with a 5/16" x 2 3/4" (8mm x 70mm) carriage bolt. With a hammer, hit on the head of the bolt until it is even with the leg B. Cross the legs so that the lower end of the leg B is towards the back and the lower end of the leg A is towards the front. Add a steel washer and screw a 5/16" (8mm) lock nut in without overtightening it. You must feel light resistance when you swivel the legs.



Lay down the frame (the bumpers must be on top) and pull on the lams C until the jacks D are parallel with the lams.

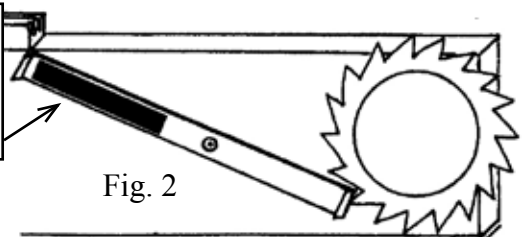
Insert the left support E into the left end of the cloth beam F, then insert the take-up motion handle G and the right support H, into the right side of the cloth beam. Push all these parts between the sides of the loom and fix each support with two 1½" (40mm) round-headed screws No. 14.

ATTENTION:
Application
of soap to the
screws will
make their
insertion
easier.



Heavy part on the back
of the loom

Make sure that the
ratchet pawl is in the
correct position.



Place the loom on its right side and remove the handle B. Make sure the plastic spacer A is in place. Install first the rear leg iron fitting D and then the front leg iron fitting (fig.5). Screw back the handle into the lower position. Place the loom on its left side and install the right front and rear legs the same way. Place the loom on its legs.

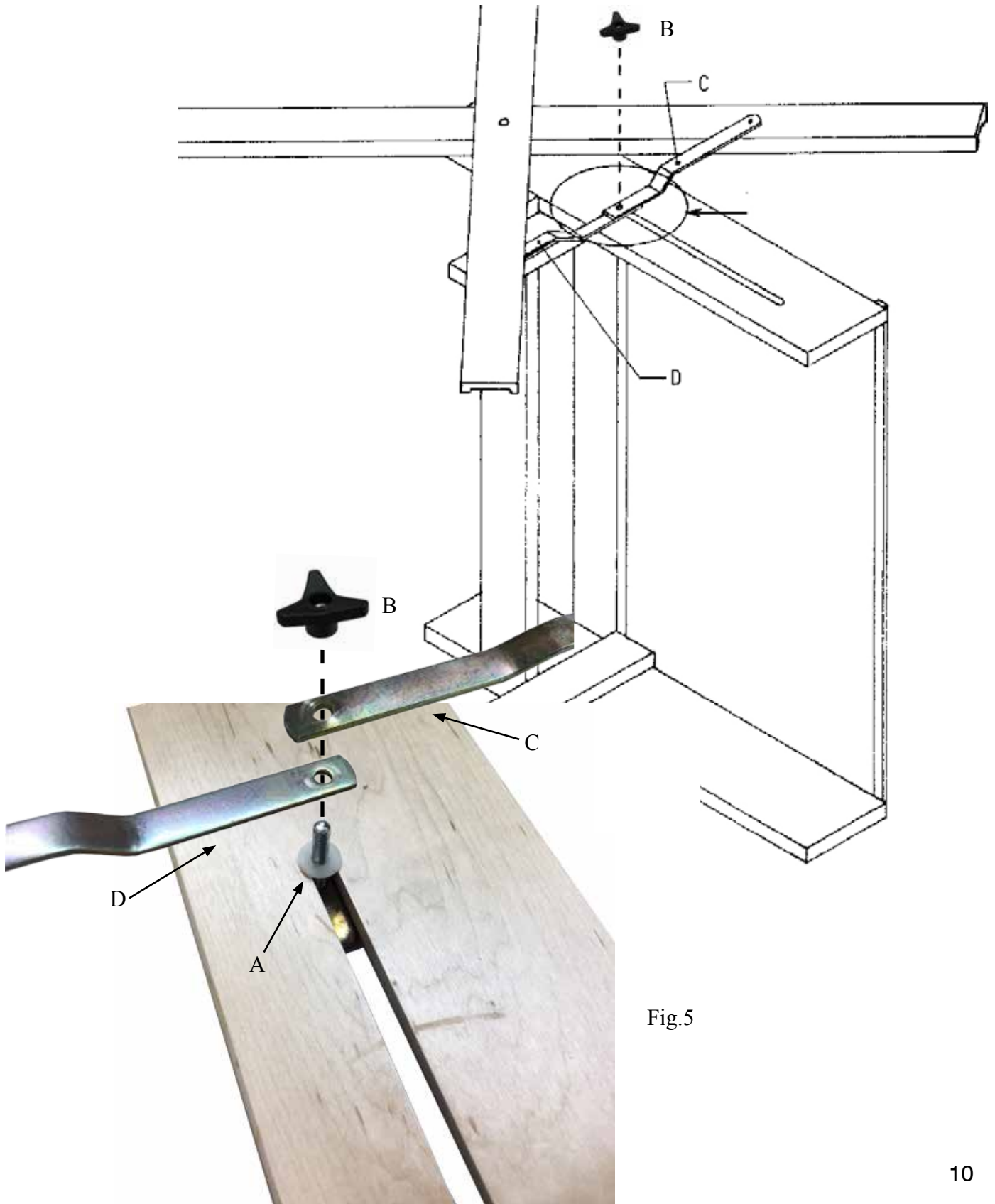
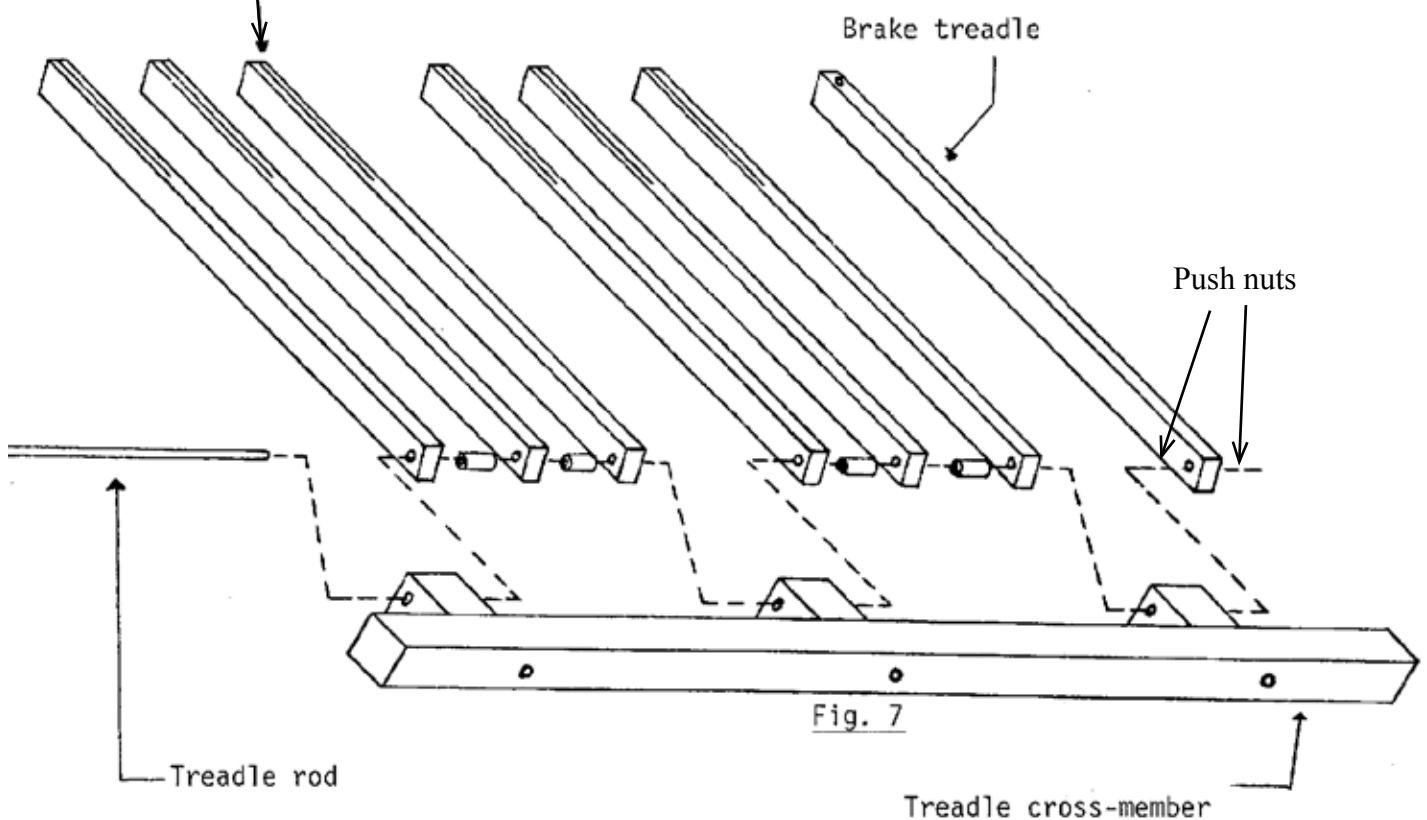
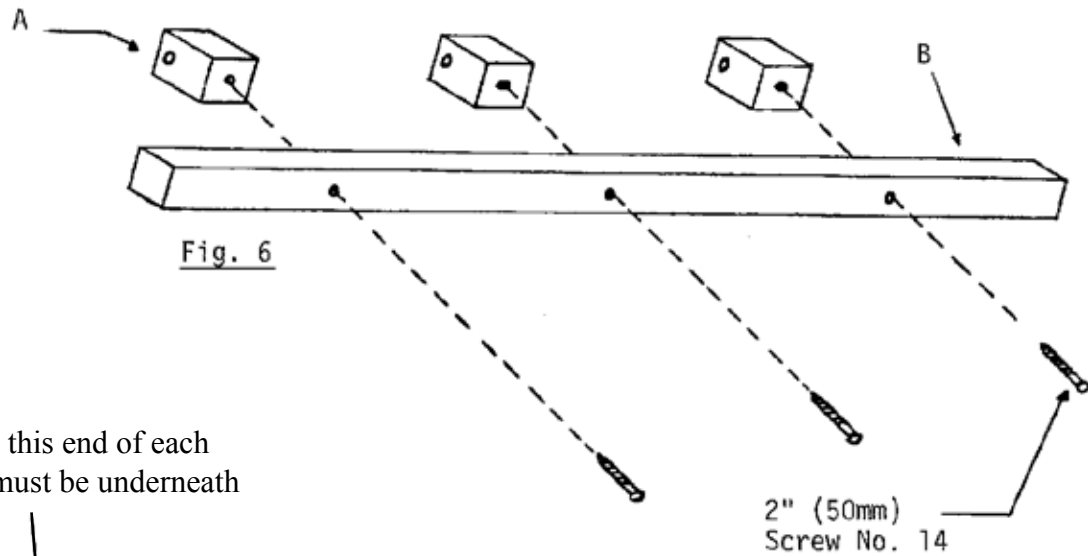


Fig.5

Fix the three (3) treadle blocks A to the treadle cross-member B with 2" (50mm) round-headed screws No. 14 (fig. 6).

Note: Do not overtighten so blocks can move.

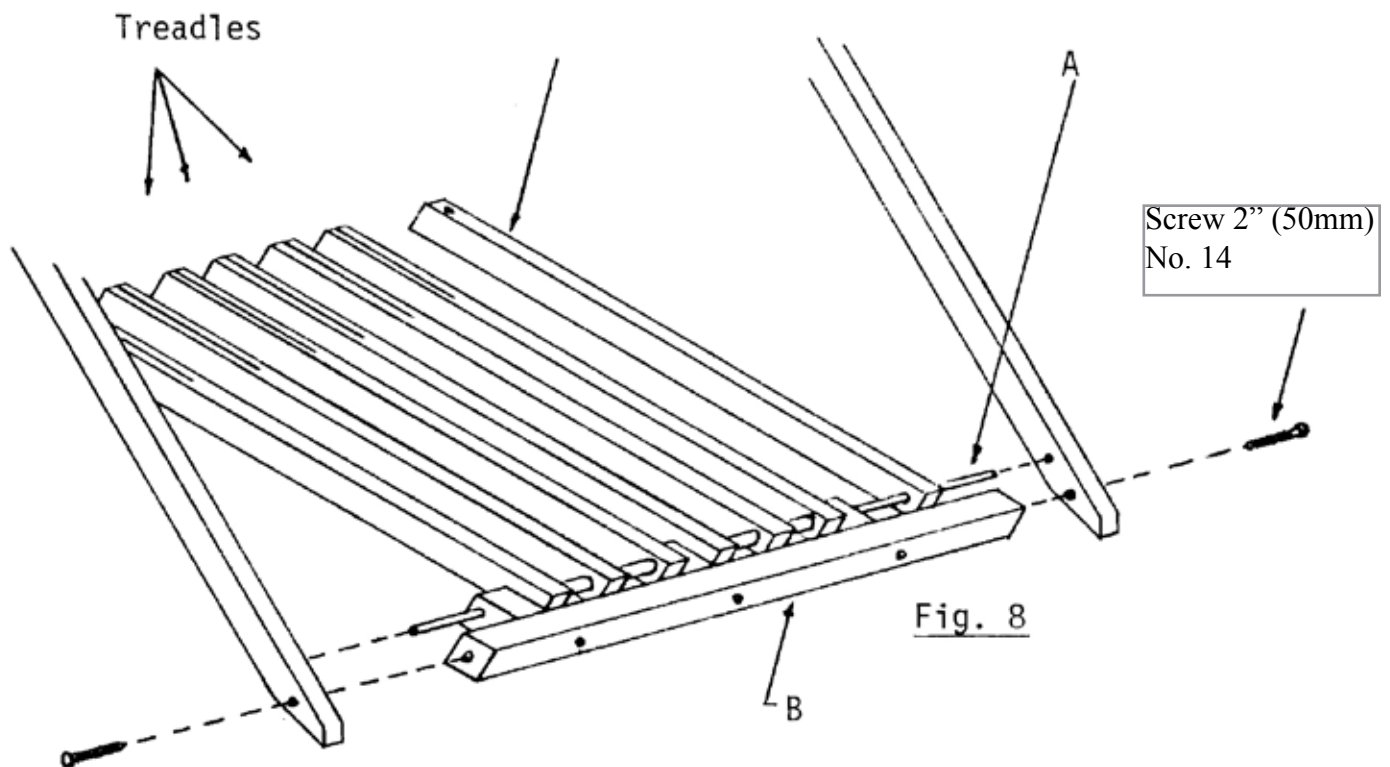


Assemble the treadle set as shown on figure 7. The brake treadle must be on the right side. Put one push nut on each side of the brake treadle and center it between the treadle block and the end of the treadle cross-member

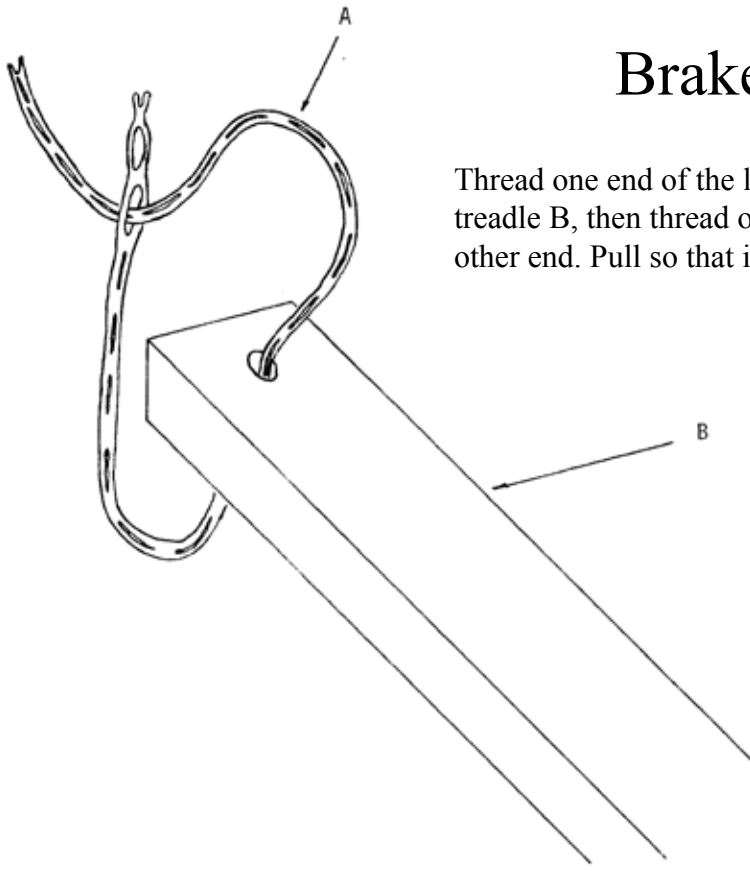
Place the treadle set between the two (2) front legs by spreading them out slightly, so that the ends of the treadle rod A fit between the legs.

Fix the treadle cross-member B with two (2) (50mm) round-headed screws No. 14.

For installation with the wheels, use 2 flat headed screw #14 x 3 1/2".

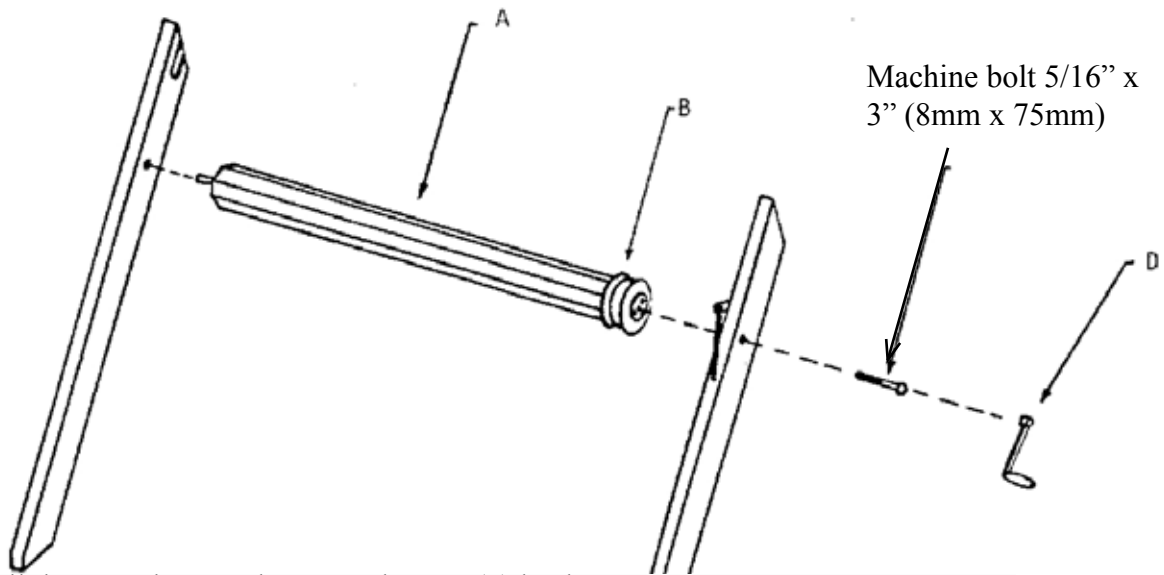


Brake treadle



Thread one end of the loop brake cord A into the hole of the brake treadle B, then thread one end of this cord into the second loop of the other end. Pull so that it makes a knot.

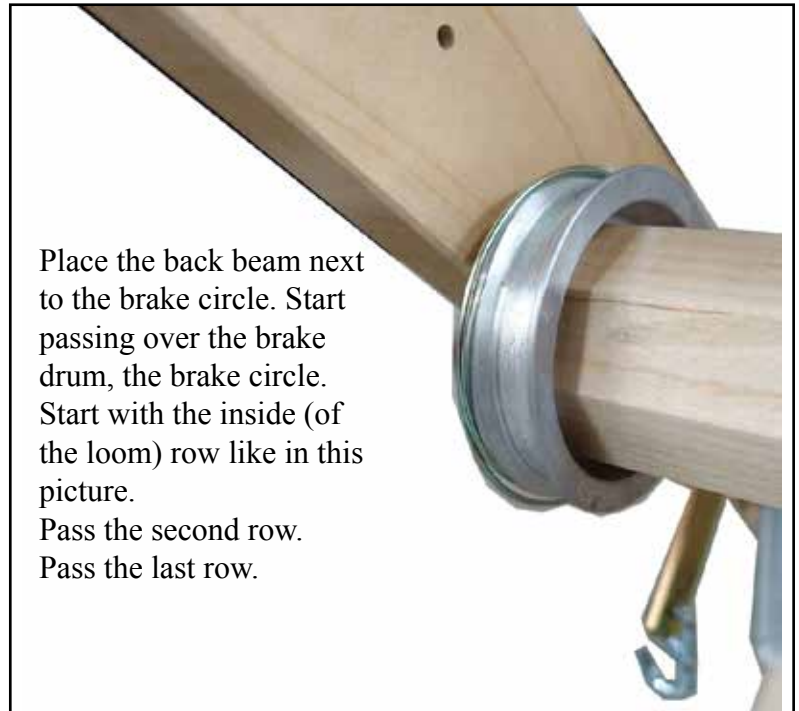
Fig. 15



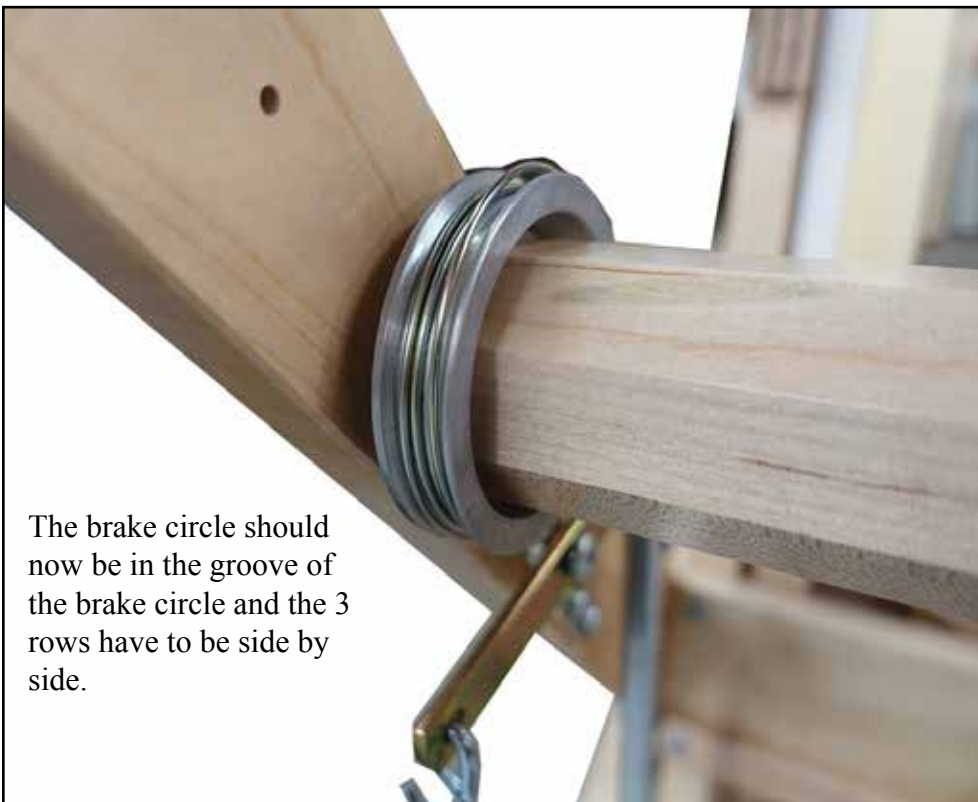
Install the warp beam A between the two (2) back posts
Screw a 5/16" x 3" (8mm x 75mm) machine bolt into the brake drum B.
Use the crank D to tighten the bolt firmly.



Remove Saran wrap over the brake circle.
Make sure that the friction brake parts are as this picture. **Do not remove the black tape over the “S” hooks.**



Place the back beam next to the brake circle. Start passing over the brake drum, the brake circle. Start with the inside (of the loom) row like in this picture.
Pass the second row.
Pass the last row.



The brake circle should now be in the groove of the brake circle and the 3 rows have to be side by side.

Insert the machine bolt in the hole, align the warp beam and screw the bolt in the brake drum.

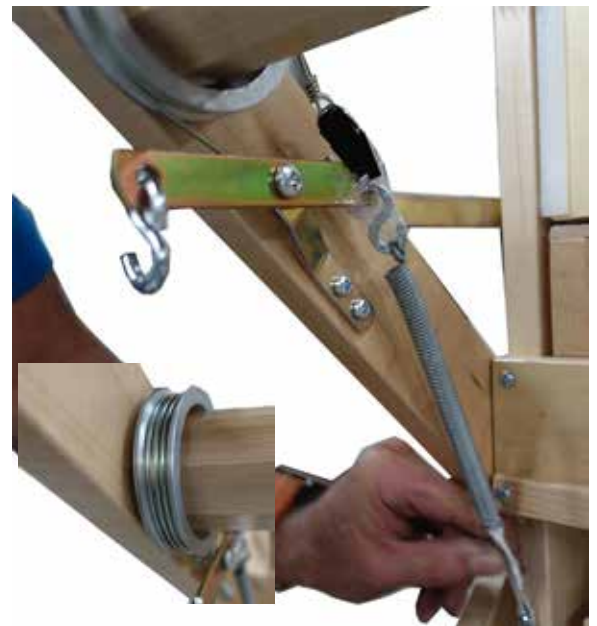
Use the crank to screw until it is hard to turn.



Attach the spring loop cord to the main castle screw at the black mark.

The tension on the spring should be high enough to lock the warp beam while weaving.

The warp beam should turn with some friction clockwise (while standing at the right side of the loom near the brake system) and this is the warping rotation. However, you should always release or reduce the tension on the brake circle by adjusting the length of the loop cord when warping.



Connect the back lever "S" hook to the brake treadle. Use the black mark as a starting point.

To advance the fabric when weaving, depress the brake treadle just enough to release the warp beam.

Depressing the brake treadle too far may cause the brake circle to come off the brake drum or be a mix-up in the brake drum.



Install the thread beam (29½") A using round-headed screws No. 14, 1½". Install the lower cross-member B (30½") in back of the loom with round-headed screws No. 14, 2".

For installation with the wheels, use 2 flat headed screw #14 x 3 ½".

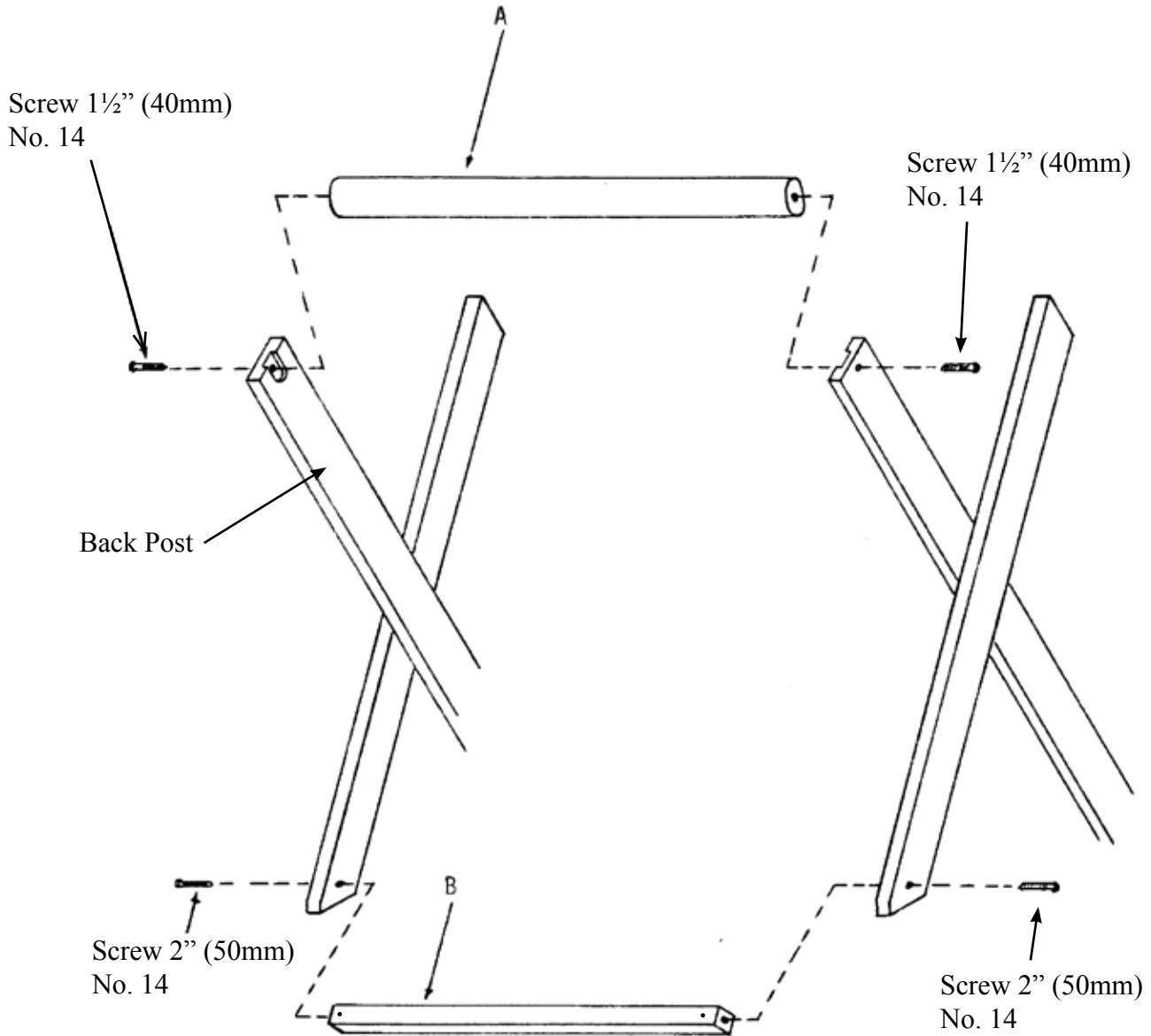
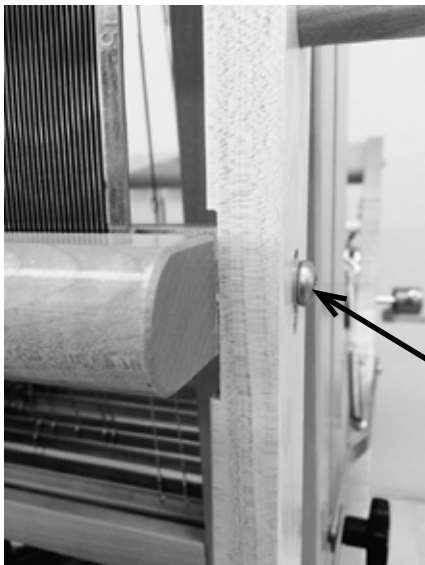
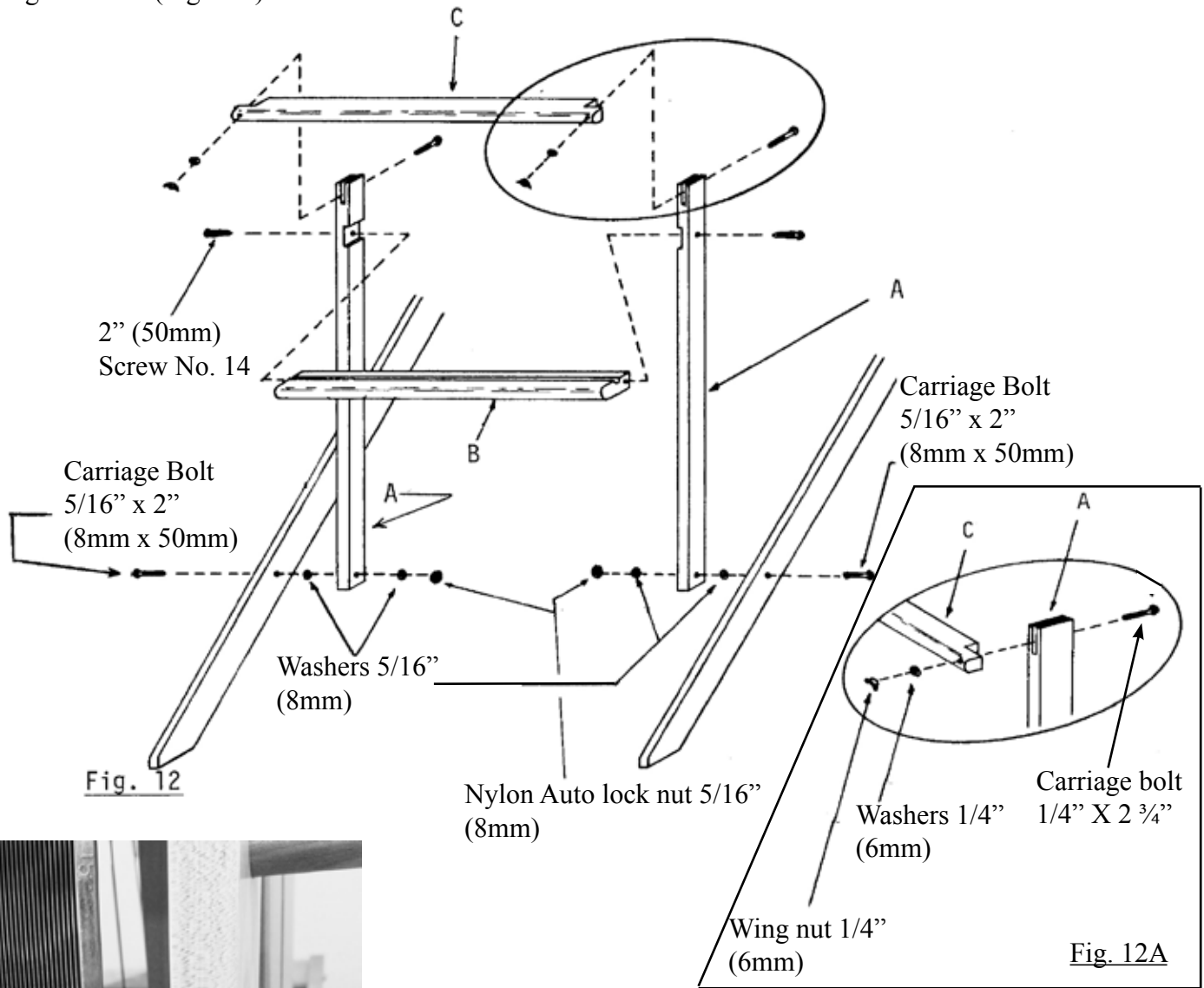


Fig. 11

Fix each of the two (2) batten swords A inside the front legs with a 5/16" x 2" (8mm x 50mm) carriage bolt. Place a steel washer between the sword and the leg. With a hammer, hit on the head of the bolt until the square inside part is in the wood. Put a washer inside and lock it with the nylon auto lock nut 5/16" (8mm) without overtightening it. The swords must move freely.

Fix the batten sley B with two 2" (50mm) round-headed screws No. 14 Use one plastic washer 3/16" on each side.

Fix the batten handtree C with two 1/4" x 2 3/4" (6mm x 65mm) carriage bolts, two steel washers 1/4" and two wing nuts 1/4" (Fig 12A).



Round-Headed screws #14, 2" and a plastic washer 3/16"

NOTE: The beater height is now adjustable. The middle of the groove is a good place to start with.

Place the reed A between the batten handtree B and the batten sley C, and lower the batten handtree.
Tighten the wing nuts.

Using a hammer, insert a batten stopper D (round piece of wood) into each of the two (2) swords E.

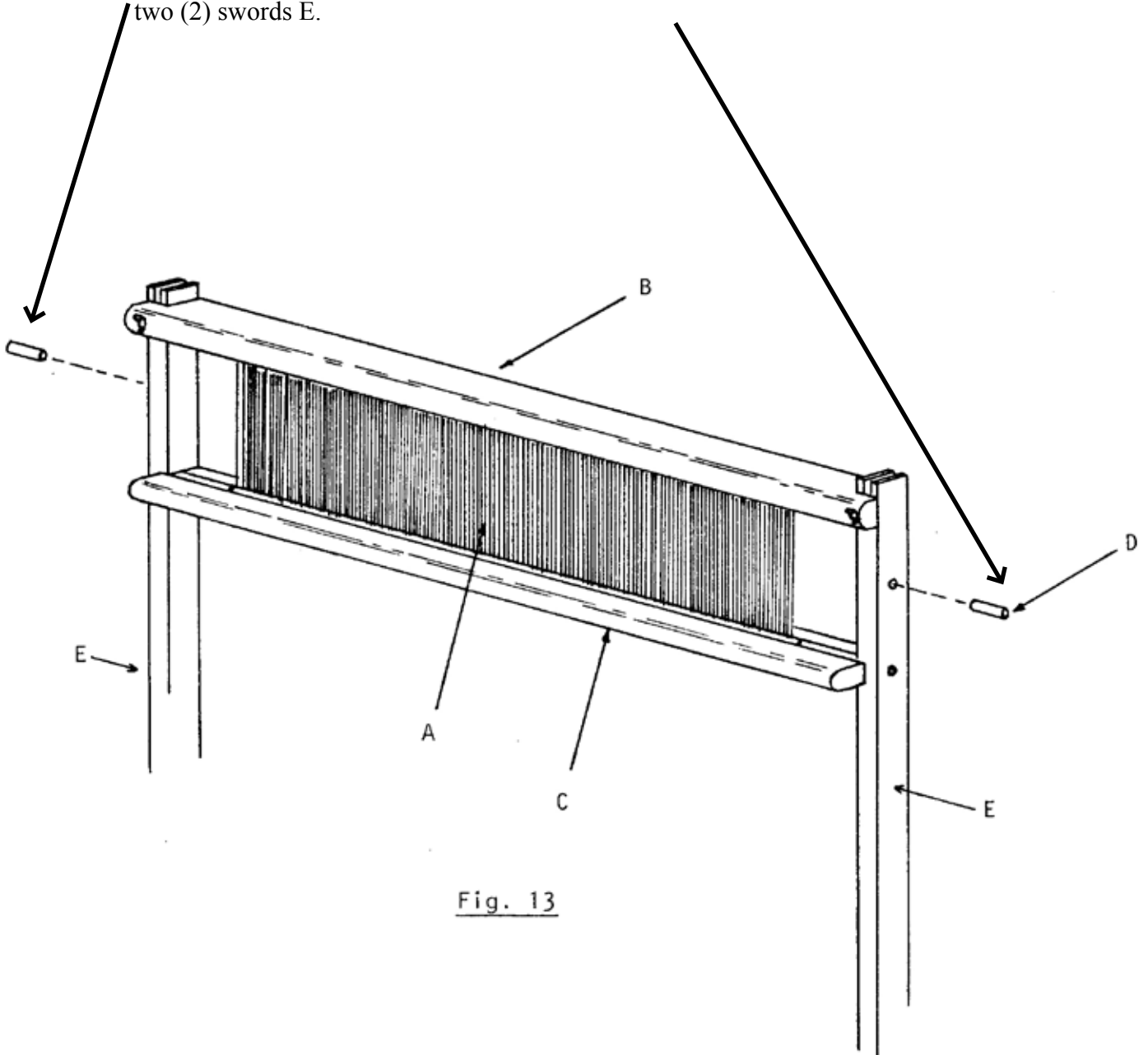


Fig. 13

Install the breast beam A with two round-headed screws 1½" (40mm) No. 14.
Make sure that the hole for the eyescrew is on the right side, more instruction on next page.

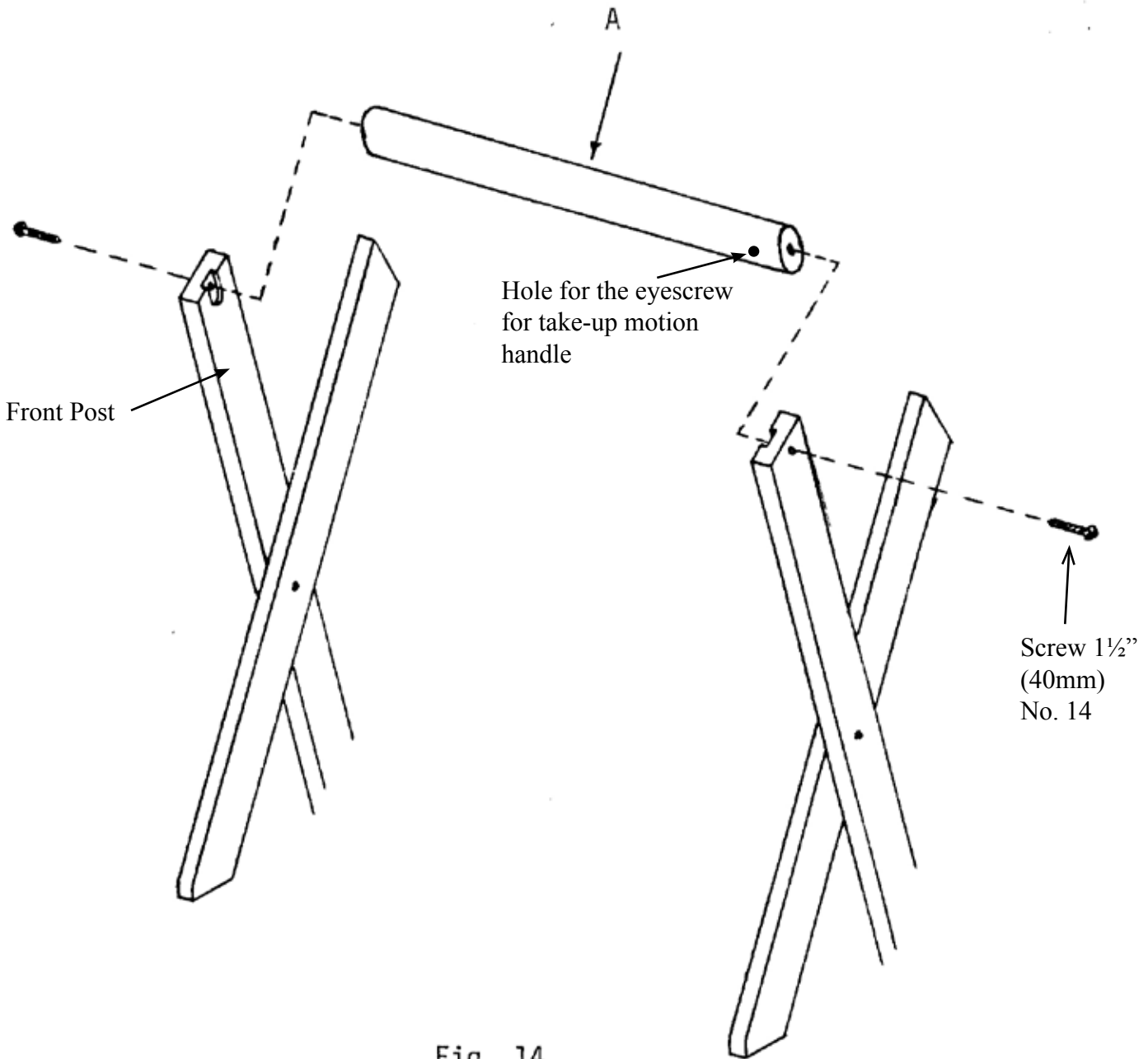
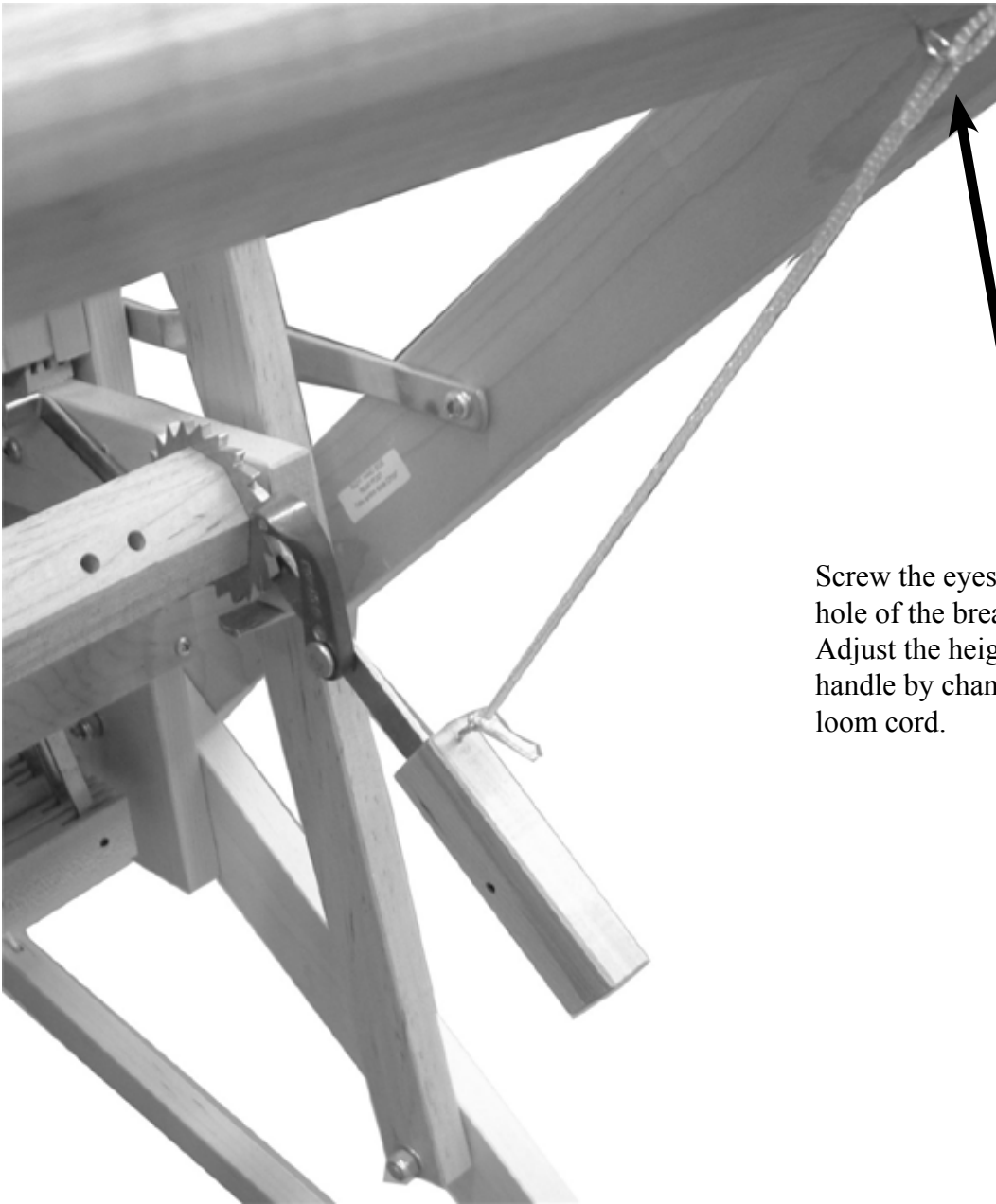
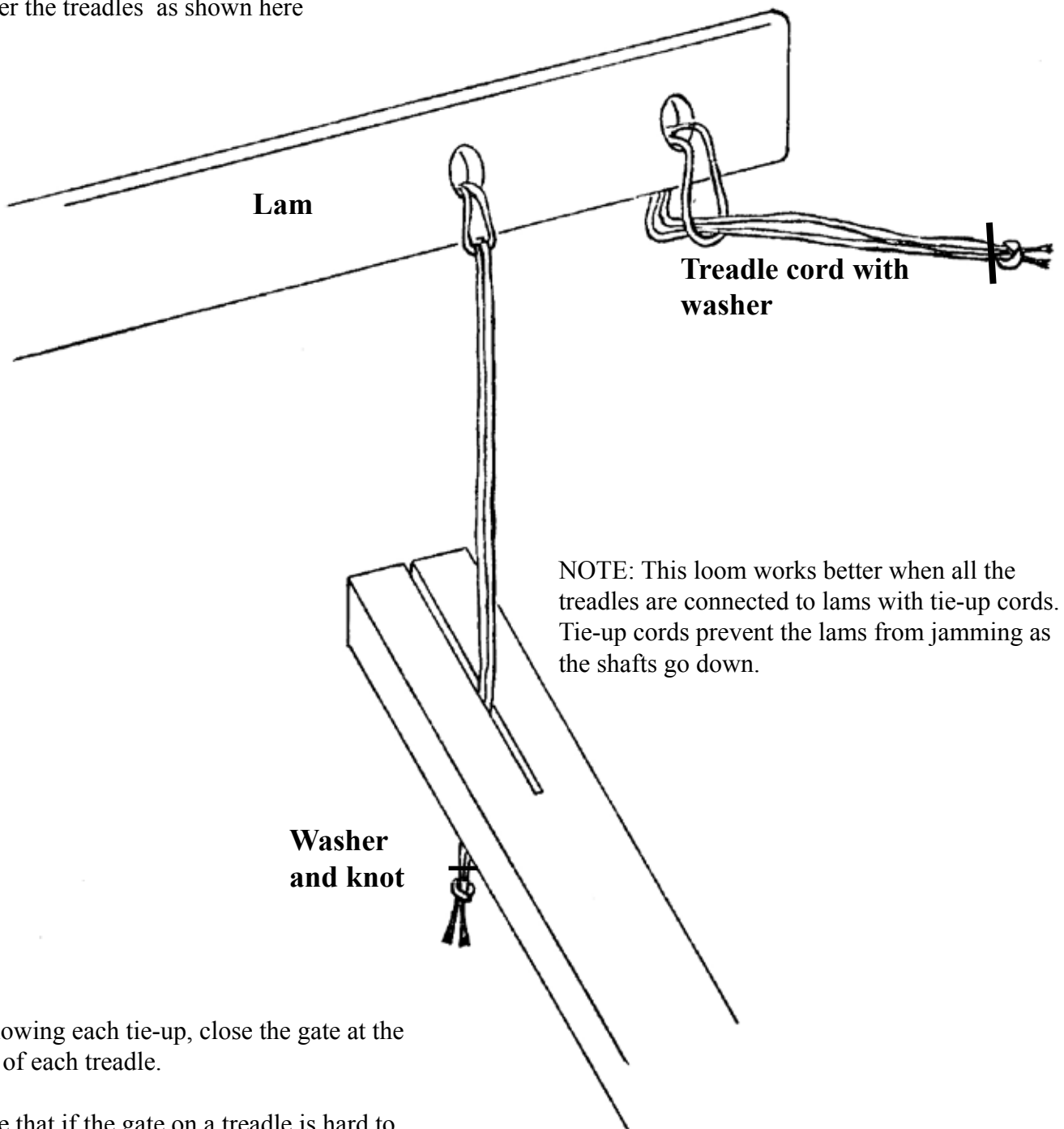


Fig. 14



Screw the eyescrew in to the pre-drilled hole of the breast beam.
Adjust the height of the take-up motion handle by changing the length of the loom cord.

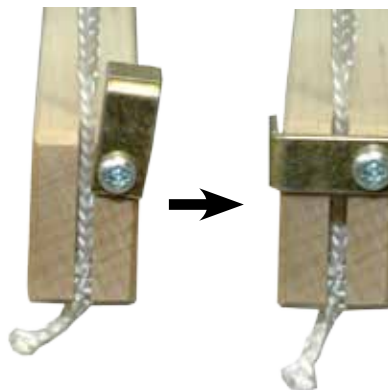
Install treadle cords with the washers under the treadles as shown here



Following each tie-up, close the gate at the end of each treadle.

Note that if the gate on a treadle is hard to open/close, it may be necessary to slide the Texsolv Treadle Spring Cord a few inches along the treadle closer to the front of the loom to make opening/closing the gate easier.

Once the gate is closed the Treadle Spring Cord can be re-positioned back closer to the gate.



BEAMING

On this loom, beam sticks, metal rods and cords have to be installed in place of the usual apron.

Thread a 10 yard (9.2m) nylon cord through the third set of holes of the warp beam.

Then thread the two cord ends through the corresponding holes of the beam stick

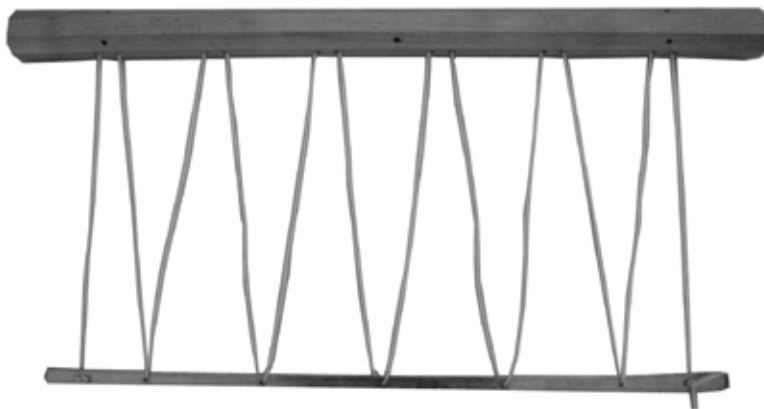
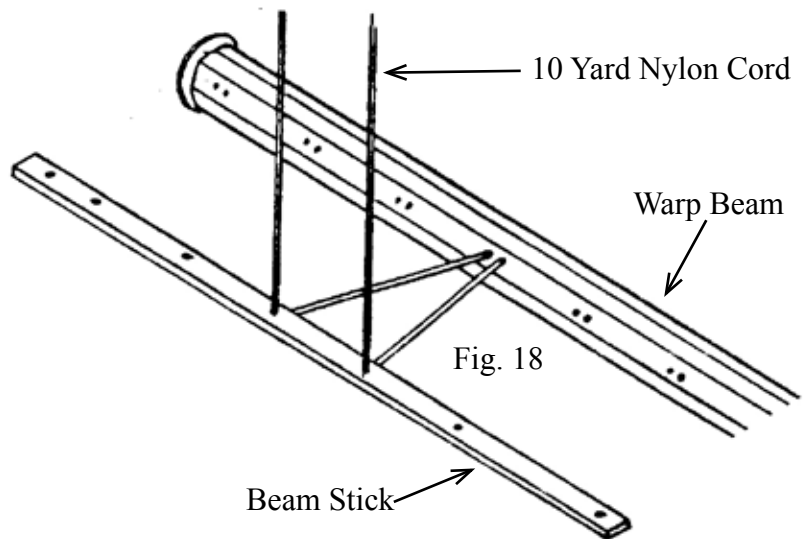


Fig. 19

Continue threading the cord through the warp beam and the beam stick.

Knot the cord at each end of the beam stick.

Adjust the cord so that the tension and the length are the same for the whole width of the loom.

Cut the 5 yard (4.5m) cord in half. Use one half of the cord to lace the beam stick to the warp rod.

Repeat the same operation for the cloth beam.

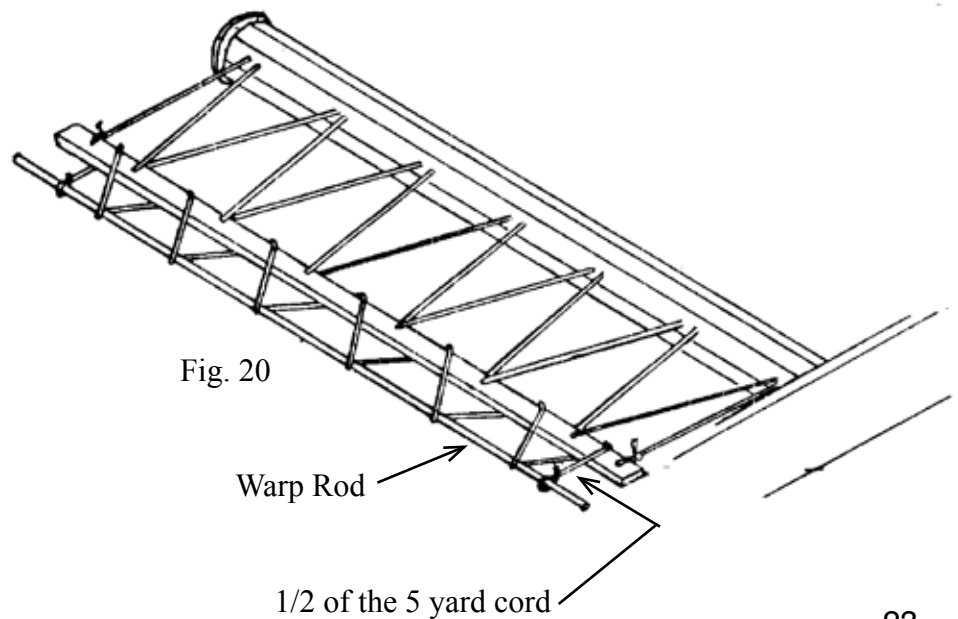


Fig. 20

To install the heddles you can just bend the heddle supports .

To remove the shaft frames you first have to unscrew the top nut of the jack pin. It is important to leave the bottom nut as it is.

Then pull up the shaft frame from the castle.

We strongly recommend that you have those nuts installed at all times.

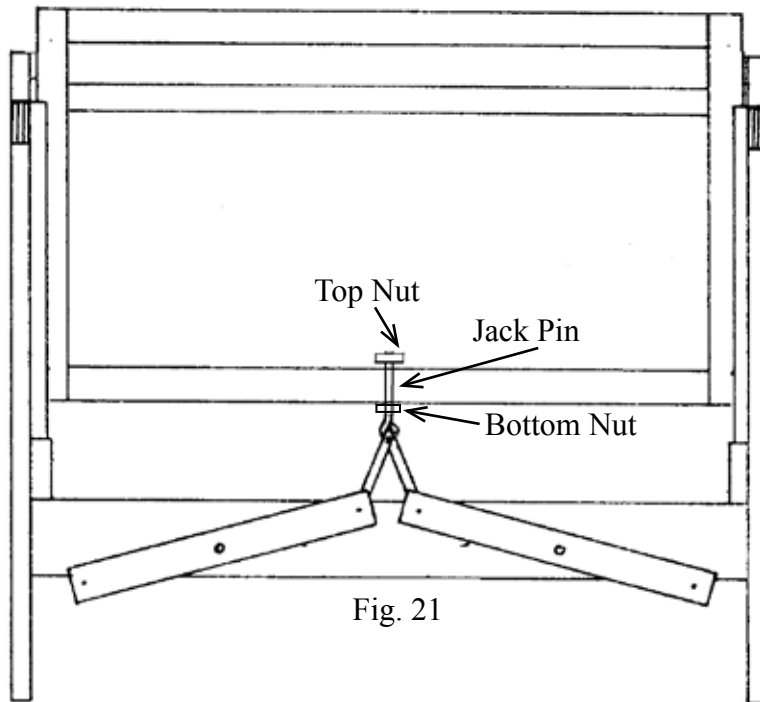


Fig. 21

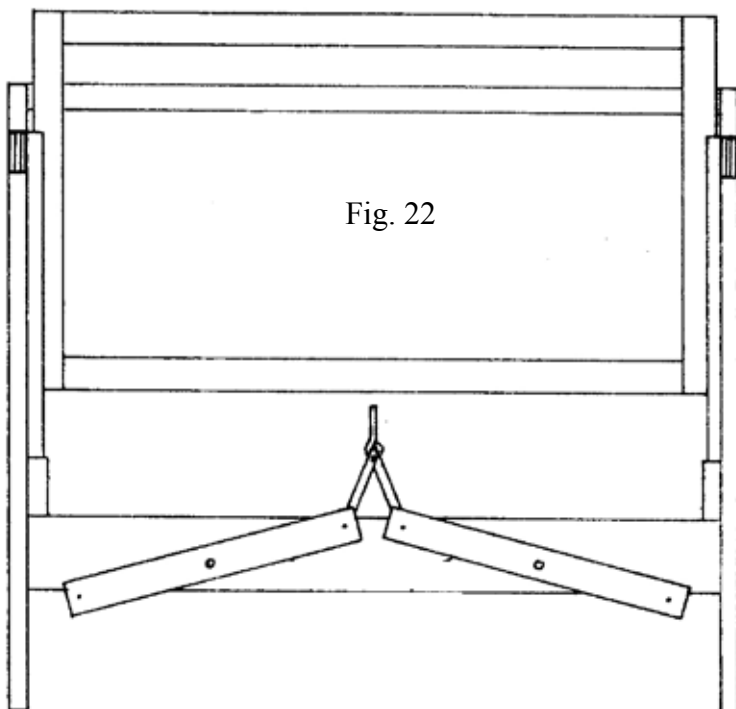


Fig. 22

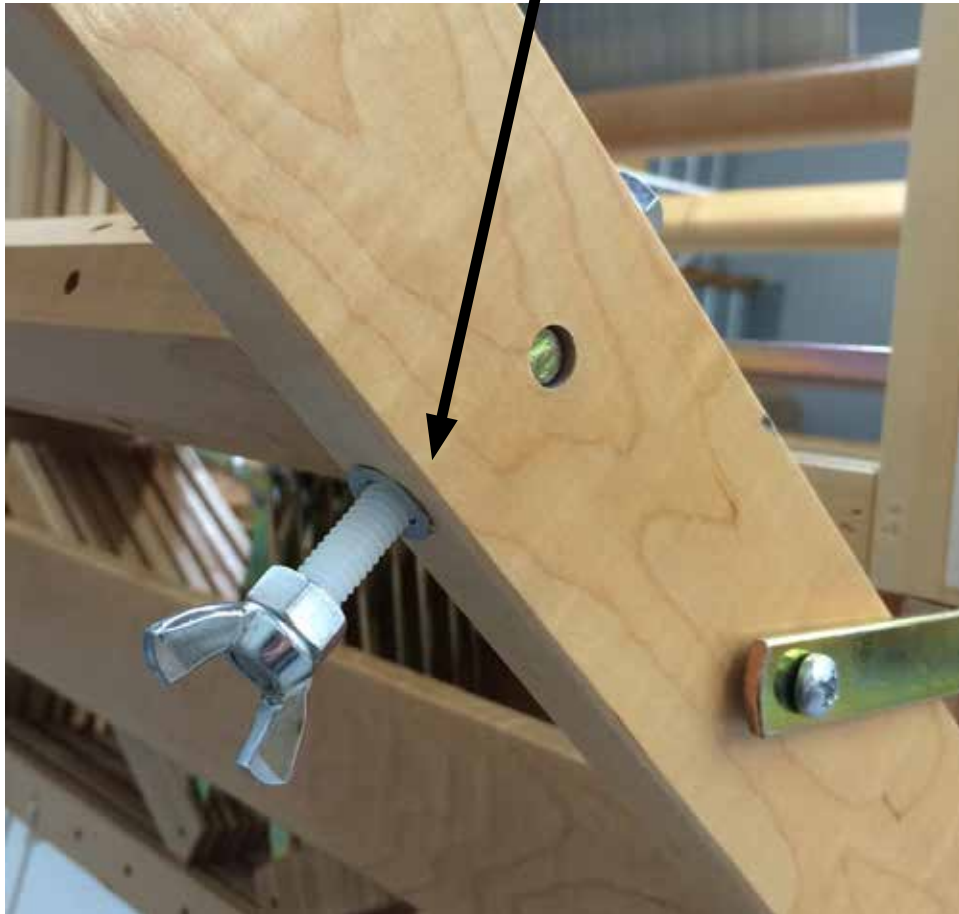


TO INSTALL HEDDLES:

Disconnect the center of both heddle supports of a shaft frame and take it out of the end frame by bending it.

For more information, see the book supplied with the loom "Warp & Weave".

Warp beam advance control system



Install the Warp beam advance control system.

This system will eliminate excessive warp yarn advance when releasing the brake system at cloth take-up.

This friction system is adjustable and **have to be released when winding the warp on.**

Just screw the wing nut with nylon bolt in the pre-install metal indert of the left back post.

Screw in to Increase the friction or unscrew it to release.



To fold the loom, Disconnect the friction brake loop cord from the screw (S), release the tension by pressing the brake treadle, then loosen the plastic handles on each side of the loom and pull these upward. Tighten the handles.

The loom can fold even with fabric on it.

IMPORTANT NOTE: Be careful when closing and opening the loom.

To avoid damage and injuries, NEVER completely remove the plastic handle.

MAINTENANCE:

In order to get the maximum efficiency from your loom, we recommend you periodically spray a lubricant (silicone) on the plastic slides on each side of the loom.

We at Leclerc encourage Weaver feedback on this and all our products. Please send your comments to Leclerc Loom Inc.

HAPPY WEAVING