

NILUS 4 SHAFTS JACK-TYPE LOOM

	4 SHAFTS
36"	1025-0036
45"	1025-0045
60"	1025-0060



On receiving the loom, unpack and lay out the loom components. Do NOT discard any packing material until all parts are inventoried.

Check the parts received against the parts list on pages #2 to #7 of the assembly instructions. Report any discrepancies to Leclerc or your dealer immediately.

To assemble this loom, a minimum of 2 people are needed but 3 are recommended.

Leclerc Looms

Since 1876

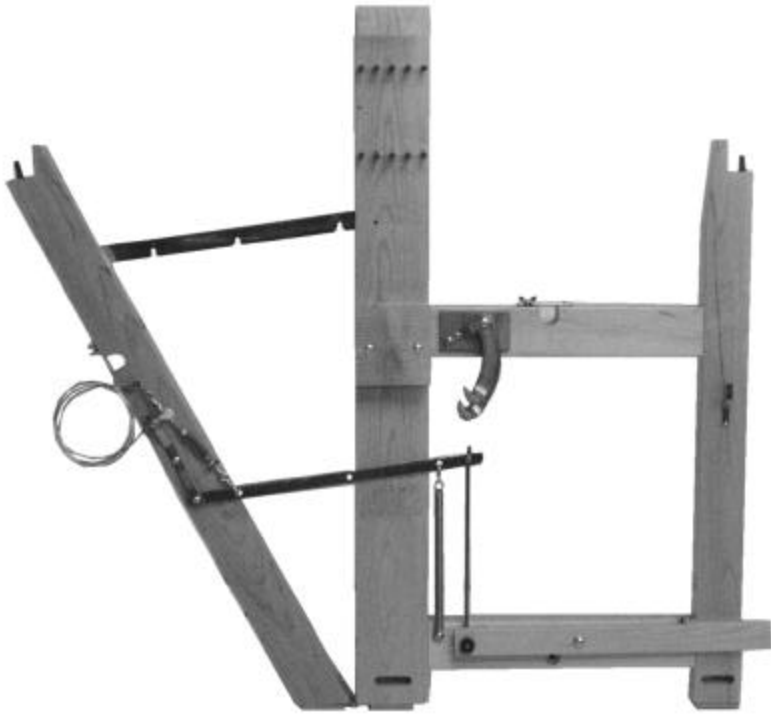


1972 Avenue Simoneau
C. P. 4
Plessisville, Qc.
G6L 2Y6

TEL: 819-362-7207
FAX: 819-362-2045
www.leclerclooms.com
leclerc@leclerclooms.com

INST\MR-FN\4SJACK.FRP

PARTS LIST



1 left-hand side

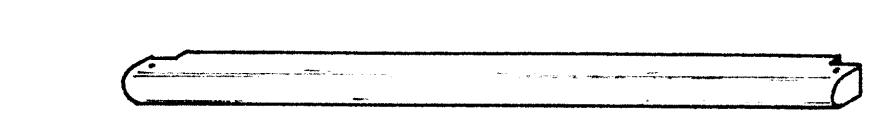


1 right-hand side

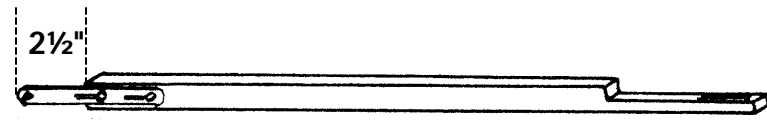
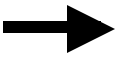
Note for Leclerc in French : Faire les petit trous dans les montants pour les baguettes d'encroix.

Mettre les blocs de boîte à marmouset et le support de contremarche.

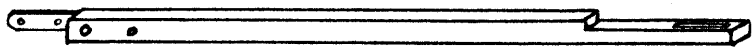
*Note for Leclerc in French :
Re-faire le trou supérieur avant du bloc droit de la boîte à marmouset avec un angle pour pouvoir visser la planche.*



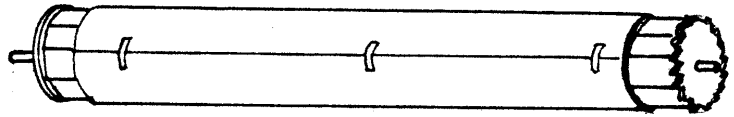
2 breast beam
(43½", 52 5/8")



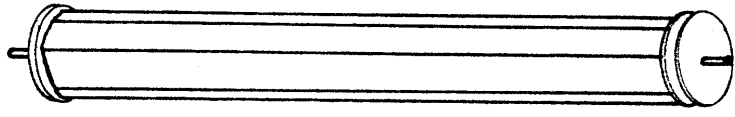
1 left sword (32½")



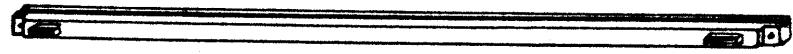
1 right sword (32½")



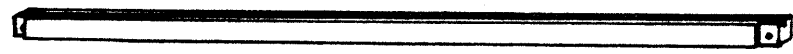
1 cloth (front) beam
(38½", 47 5/8")



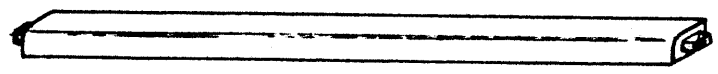
1 warp (back) beam
(38½", 47 5/8")



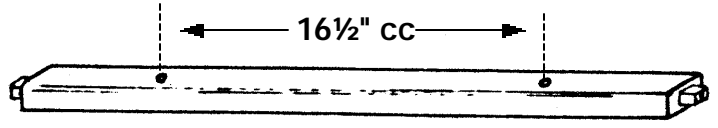
1 batten handtree
(46¾", 55 3/4")



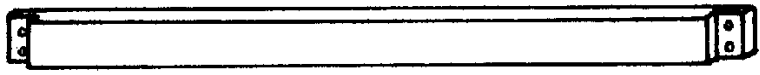
1 batte sley with shuttle race
(46¾", 55 3/4")



1 lower-middle
cross-member (40 1/8", 49")



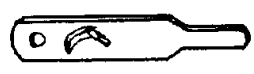
1 treadle set cross-member
(40 1/8", 49")



1 lower cross-member
connecting back posts
(34½", 52 5/8")

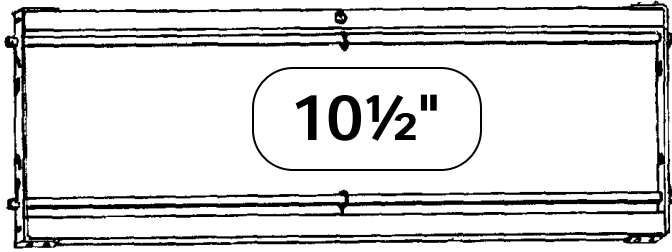


1 apron

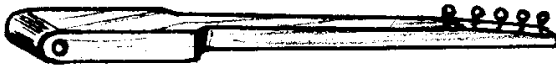


1 cloth take-up motion
handle

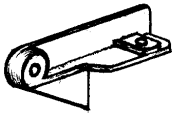
PARTS LIST



4 shaft frames

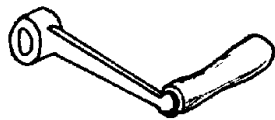


6 treadles

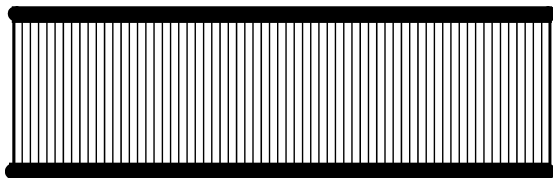


1 treadle support
1 treadle support with treadle rod 17 1/2"
one treadle push nut

1 more treadle set
push nut 7/16"



1 Crank



1 reed



2 lease sticks



4 warp rods

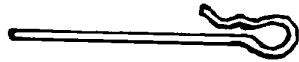
PARTS LIST



3 screwdriver (black, red and green)



1 adjustable wrench



1 set of 6 treadle hooks 7" # 3500-4521



1 set of 12 treadle cords 7" #3000-7011



1 boat shuttle regular size



12 plastic bobbins 4"

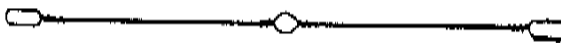


1 threading hook with plastic handle



2 pk cord - 5 yd each

10½



000 heddles (36" loom)

200 heddles (45" loom)

500 heddles (60" loom)

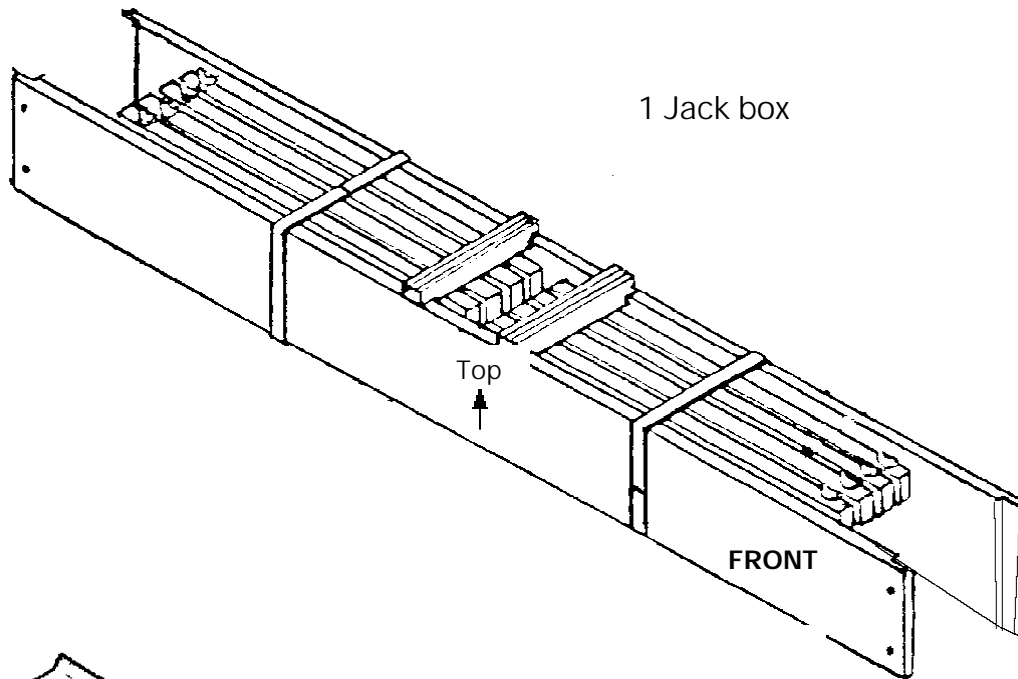


1 VHS instruction Video showing all stages of the installation.

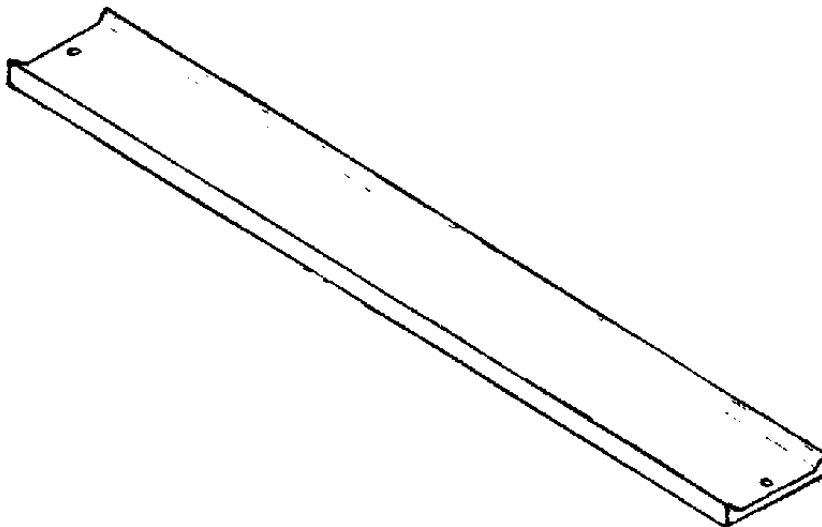
PARTS LIST



4 lams



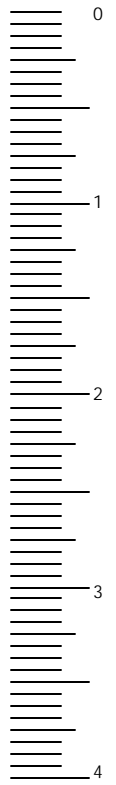
1 Jack box



1 Castle Top

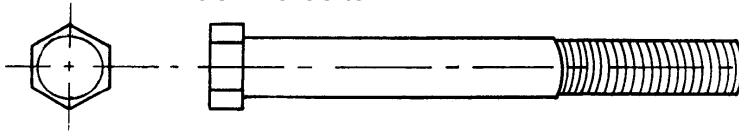
*Note for Leclerc in French:
Refaire le trou sup. droit de
la planche à angle.*

PARTS LIST



Machine bolts

4X - 3/8" x 5"
1X - 1/4" x 3"



Carriage Bolts



6X - 5/16" x 2 1/2" (8 mm x 65 mm)
2X - 5/16" x 2 1/4"

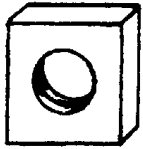
HEXAGON NUTS



2X- Nylon auto lock 5/16"

Washers

6X - 5/16"
2X - 9/16"
4X - 3/8"



Square nuts

4X - 3/8"
4X - 5/16"
1X - 1/4"

Wooden spacer



Wing nuts

2X - 5/16" (8 mm)



2X eye screws



Round head screw

14X - #12 x 1 1/2"



Tacks for canvas



1 book Warp&Weave

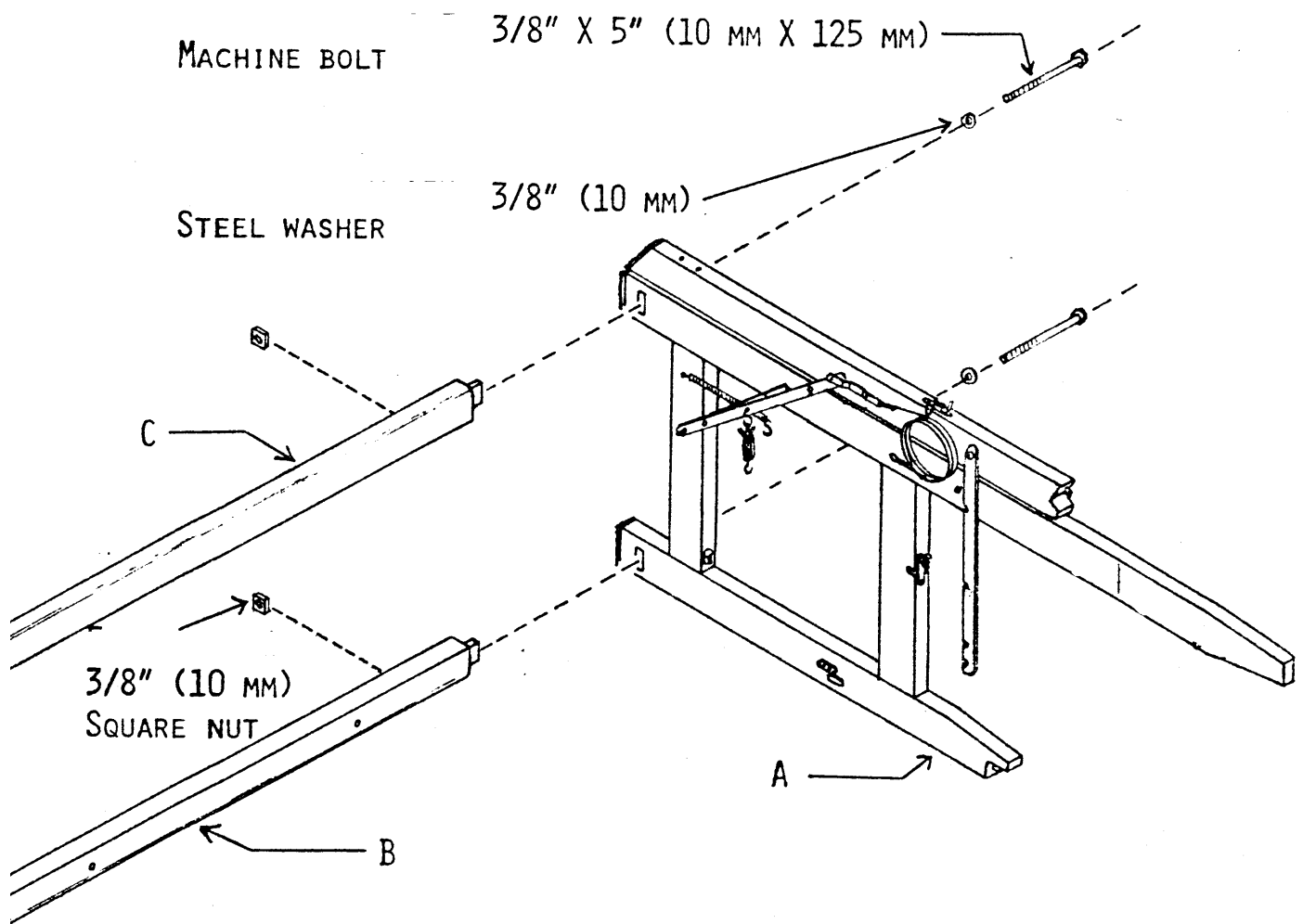


Fig. 1

Place right-hand side A of the loom on its front.

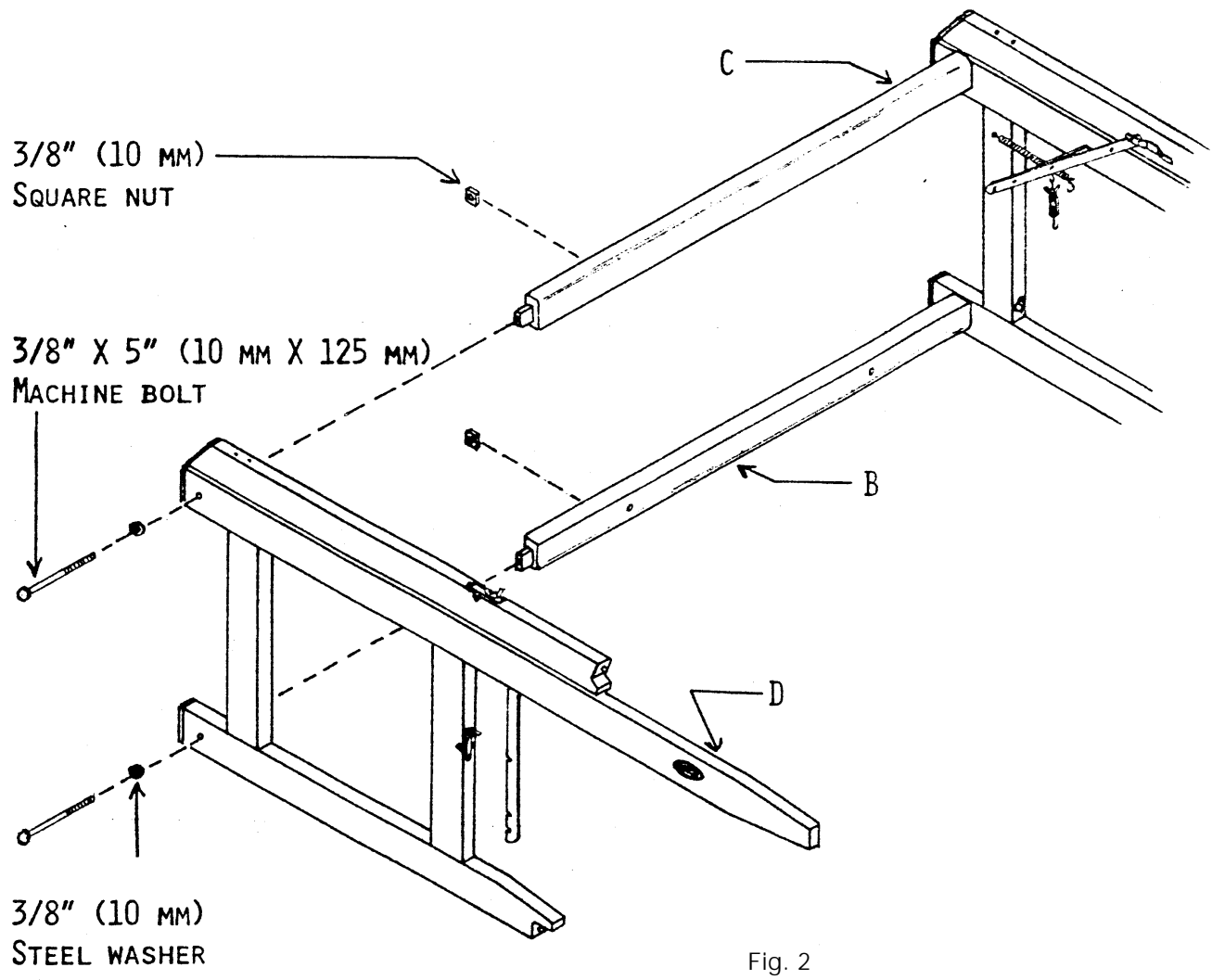
Insert the tenon of lower cross-member B into the lower front mortise of right-hand side A.

NOTE:

The lower front cross-member has two holes drilled through it which are used to affix the treadle set.

Using the wrench supplied with the loom, affix cross-member B with a 3/8" x 5" machine bolt, a 3/8" steel washer and a square nut.

Repeat the sequence with cross-member C (no holes).



After having placed the left-hand side D of the loom on its front, repeat the previous procedure again using the same tools, same bolts, same washers and nuts.

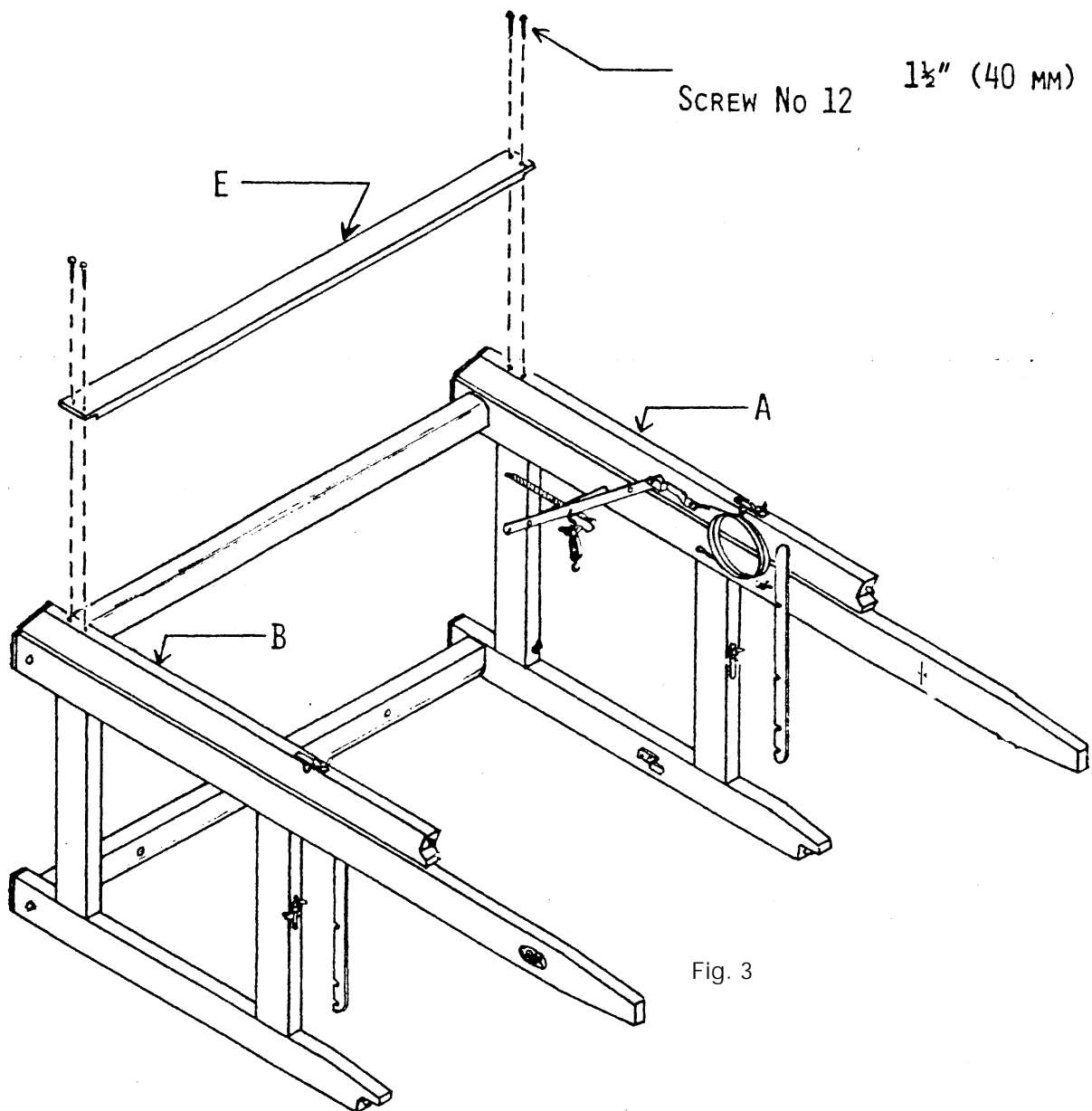


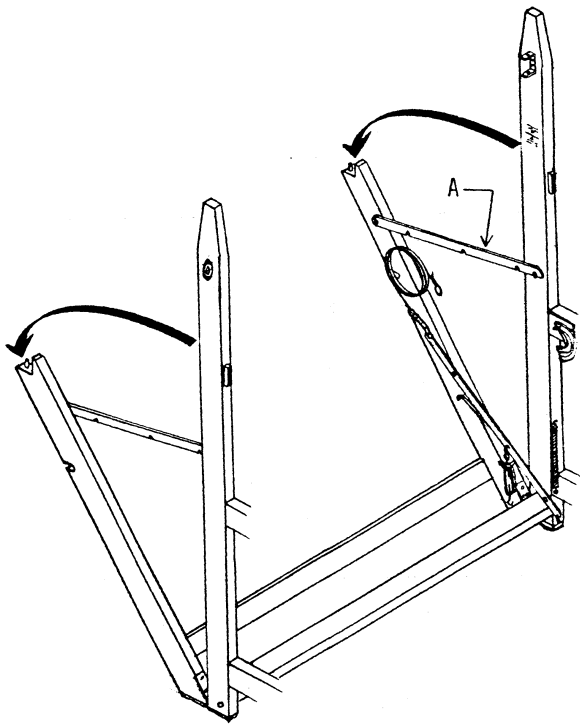
Fig. 3

Using four 1½" round-headed screws no. 12, affix back cross-member board E to back posts A and B.

NOTE:

If cross-member board E does not fit between posts A and B, insert it higher between the posts, then slide it down.

Application of soap to the screws will make their insertion easier.



Unfold the back section of the loom (back posts) and lock it in place with metal hooks A.

Fig. 4

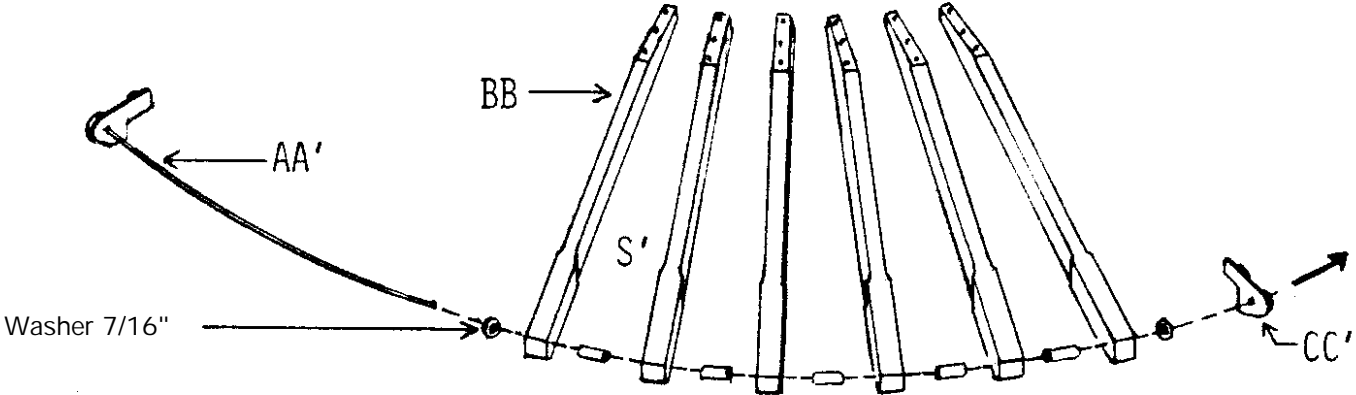


Fig. 5

- Assemble the treadle set as illustrated using:
- 6 treadles
- 5 wooden spacers 1"
- Treadle rod pre-assembled
- Steel Washers 7/16"
- Treadle blocks

Install the right side push nut only after the set is affixed to the loom.

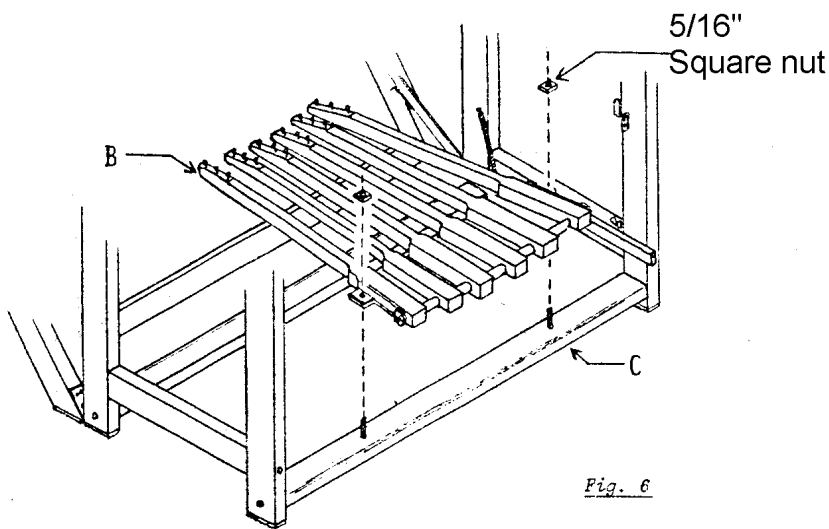


Fig. 6

Affix treadle set B to lower front cross-member C. Insert the 5/16" x 2½" bolts from under the cross-member. Hammer the carriage bolt inside the hole so it will lock while you will screw the square nuts. Secure them with the square nuts in the top of the metal treadle support.

Install the push nut at right side of the set.

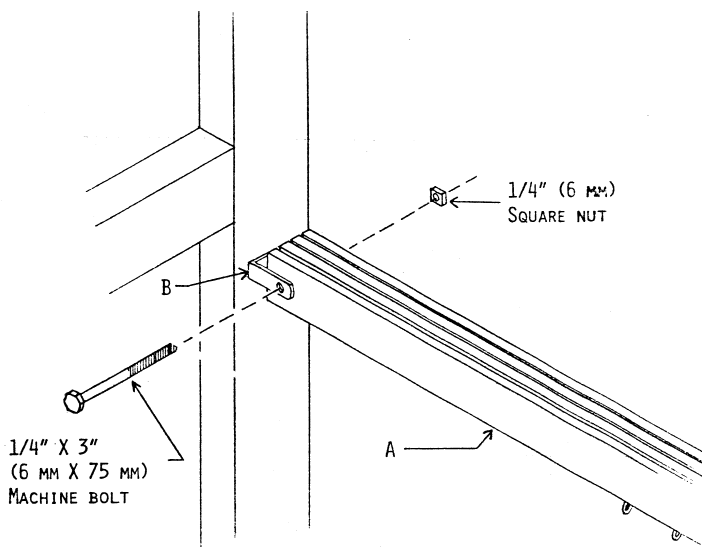


Fig. 7

Using a ¼" x 3" machine bolt and a ¼" square nut, affix the four lams A to lam support B of the left-hand side main post.

NOTE: The upper side of the lams has a single eye screw.

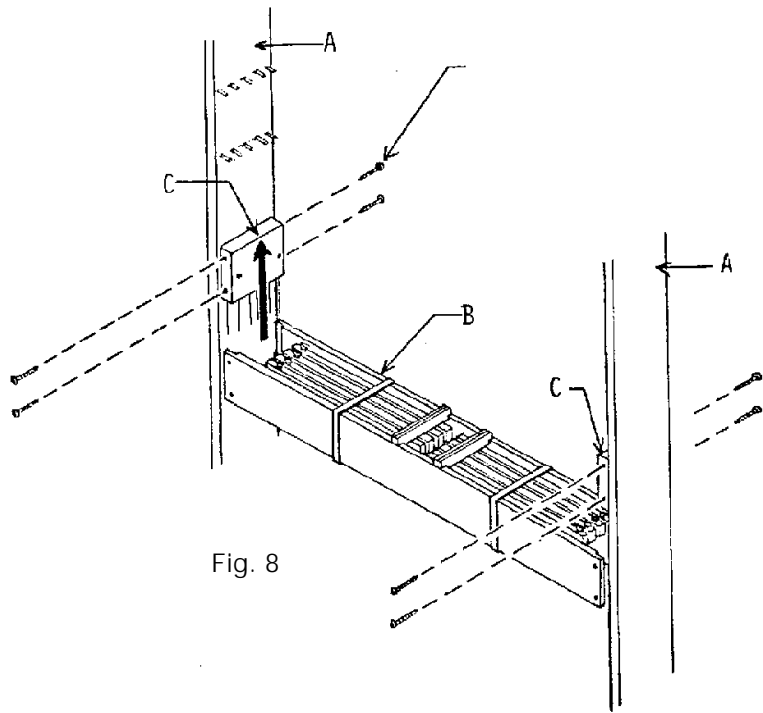


Fig. 8

Slide jack box B along the middle posts A, from bottom to top, and affix it to blocks C using eight 1½" (40 mm) round-headed screws no. 12. (Fig. 8)

Note: the top right front hole have been drill at an angle to make the installation easier.

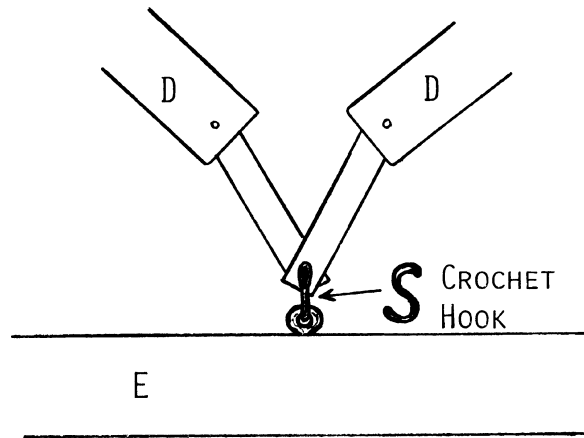


Fig. 9

Remove Saran Wrap from the jack box and put the "S" hook of the jack D inside the eyelet of the lam E. (Fig. 9)

Install the heddles in the shaft frames.
(see "WARP AND WEAVE" on page 10)

Slide shaft frames G between dividers F.
The shaft frames must rest on the plastic
supports of the jacks (harness guides).
(Fig. 10)

The Leclerc Logo must be on top, facing
the front of the loom.

NOTE: Some shafts may be tight
between the castle frame until the castle
top is affixed.

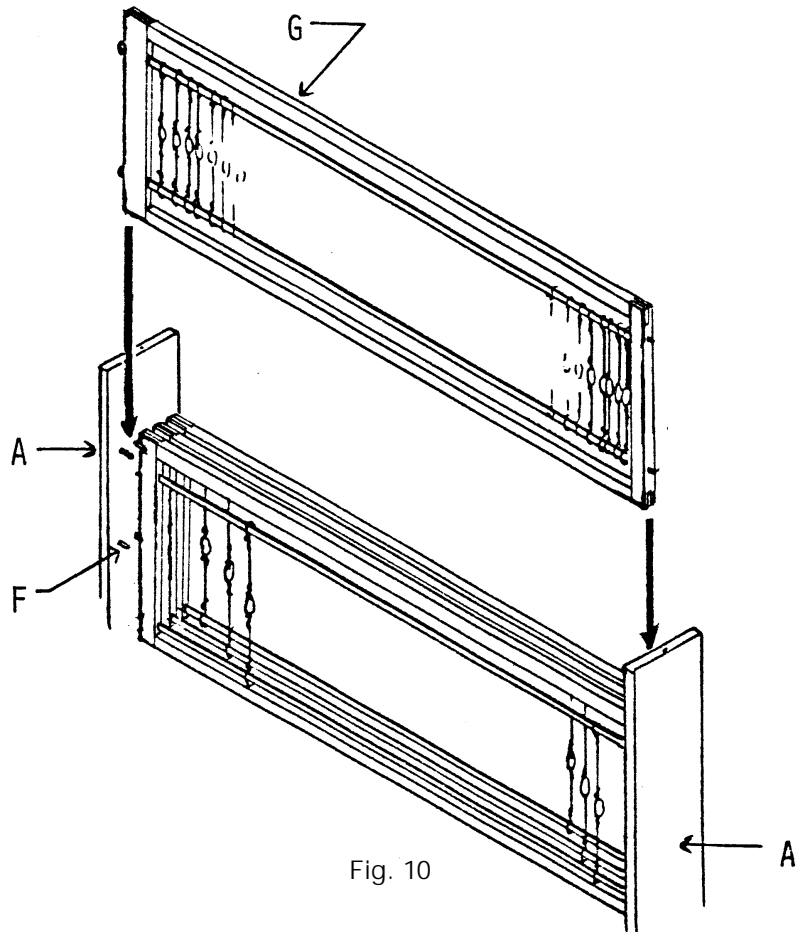
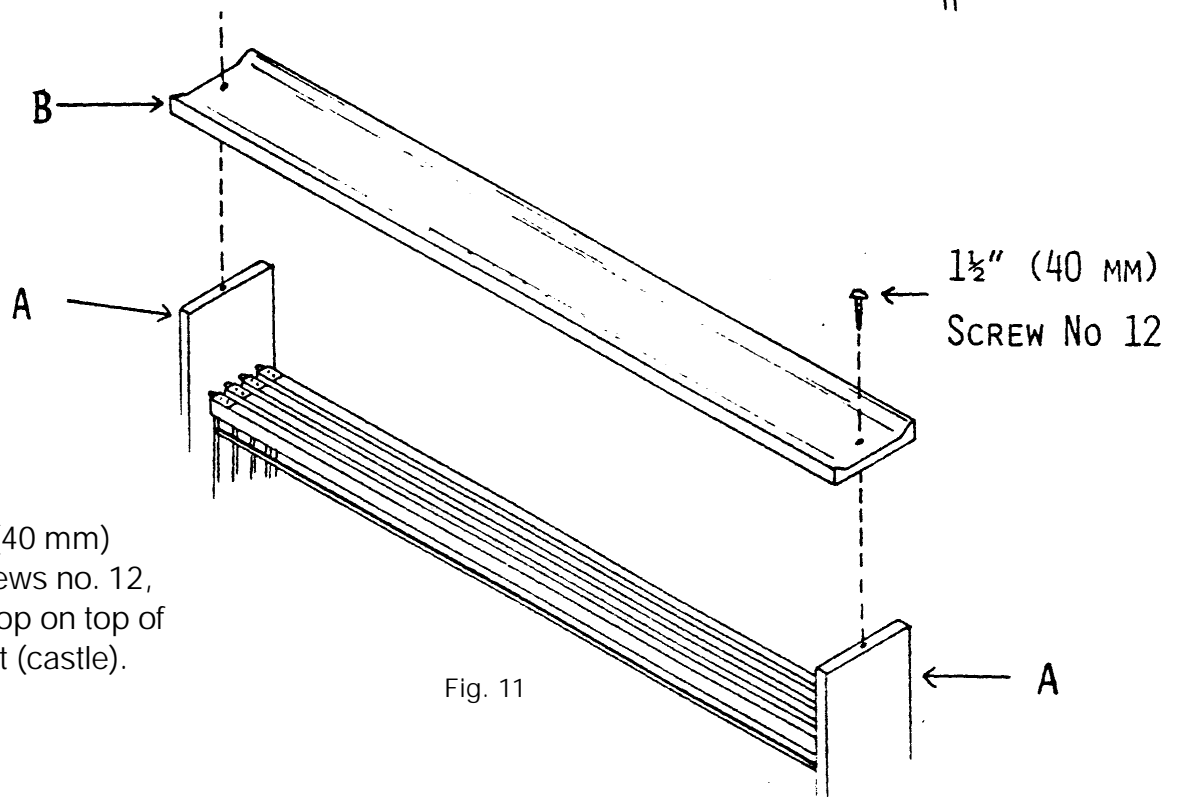
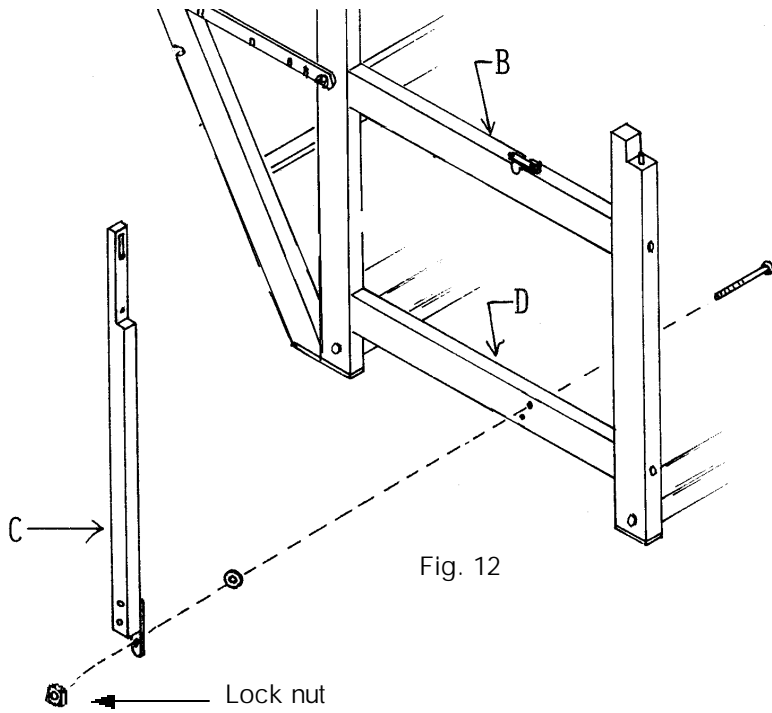


Fig. 10



Using two 1 1/2" (40 mm)
flat-headed screws no. 12,
affix the castle top on top of
the middle post (castle).
(Fig. 11)

Fig. 11



Affix batten swords C to lower lateral cross-members D. Insert the two 5/16 x 2 1/4" carriage bolts to the **UPPER HOLE**. **Hammer those carriage bolts inside the hole so it will lock while you will screw the auto lock nuts.**

You also need four steel washers and two 5/16" square nuts. Place a steel washer between the square nut and the sword and another one between the sword and the cross-member.

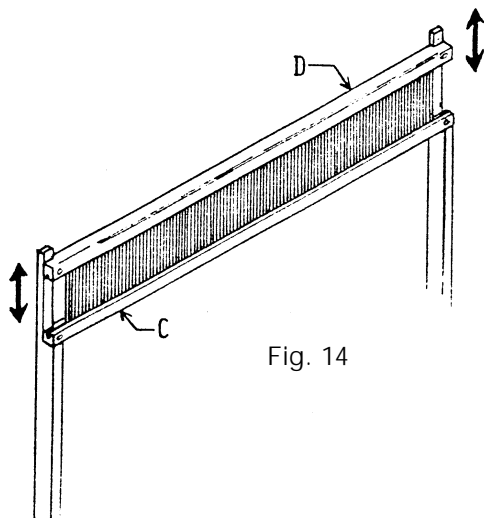
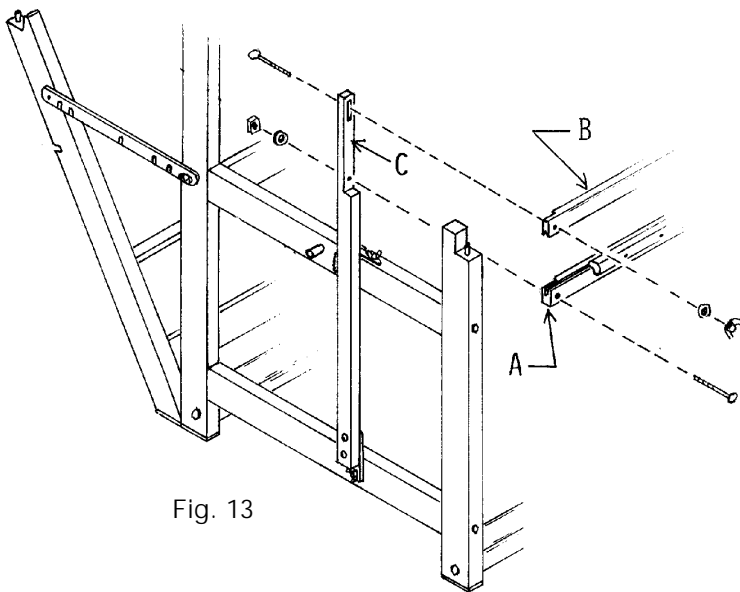
Do not tighten the bolts too much as the batten must move easily.

Affix batten sley A (with shuttle race) to the bottom of the batten sword grooves C. Insert a 5/16" x 2 1/2" carriage bolt into both ends of batten sley A, then into the hole at the bottom of the sword groove C. (The groove of sley A must be on the upper side.) Complete with washers and square nuts.

Affix batten handtree B to the slots on top of the sword grooves C. Insert a 5/16" x 2 1/2" carriage bolt into both slots of the batten sword C, then to the batten handtree. (The groove of the handtree A must be on the underside.) Complete with washers and wings nuts.

To install or change the reed, slightly loosen the wing nuts and slide the batten handtree up and down.

If the batten does not touch the two bumpers equally, loosen the 4 nuts and exert pressure on the batten, centering it in its proper place. Tighten the nuts while holding the batten straight.



If the loom is equipped with a sectional warp beam, the rake-like pieces must be affixed to the warp beam. If not, affix the apron to the warp beam with the tacks supplied with the loom.

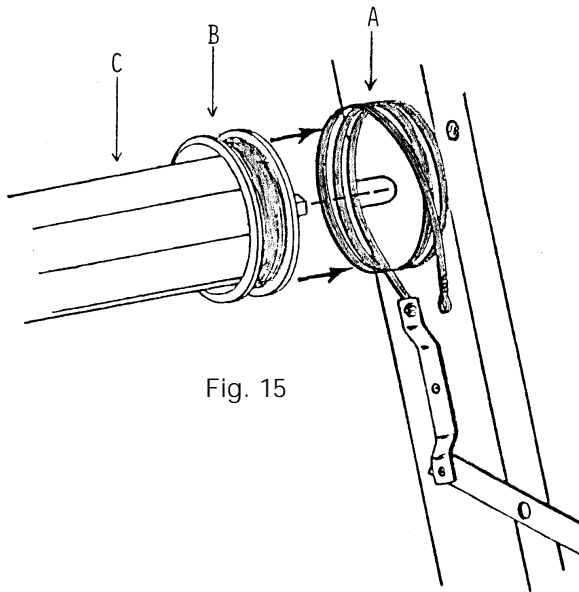


Fig. 15

WARP BEAM INSTALLATION

Disconnect brake circle A from the turnbuckle.

Open both latches of the back posts. Hold the flat metal brake circle A slightly to the rear of the loom. DO NOT UNROLL IT.

Insert the brake drum B into the wire brake circle A. Then, install the ends of the groove of the back post. Close and secure both latches.

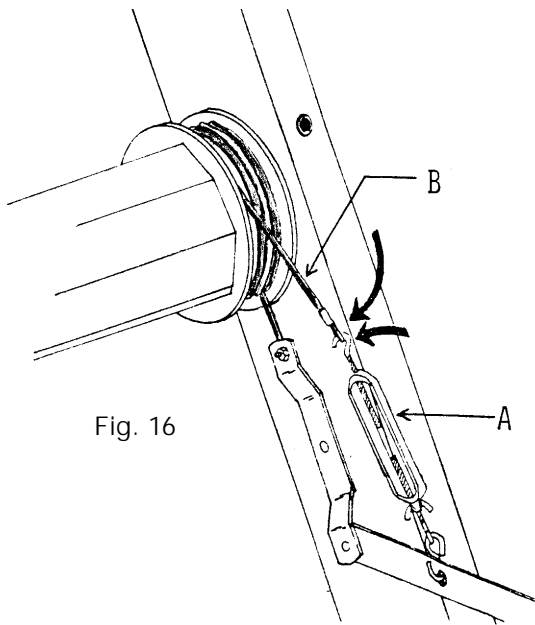


Fig. 16

Hook turnbuckle A to brake circle B.

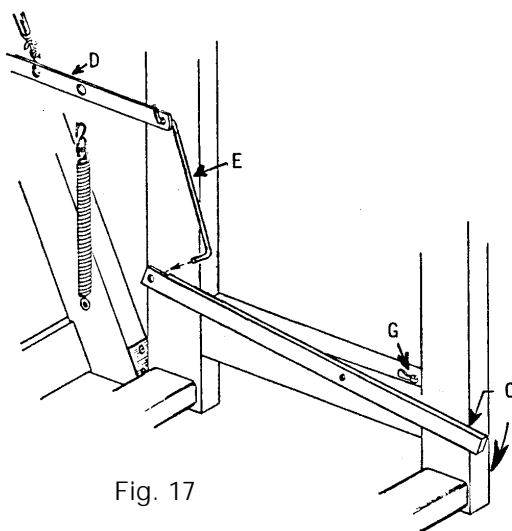


Fig. 17

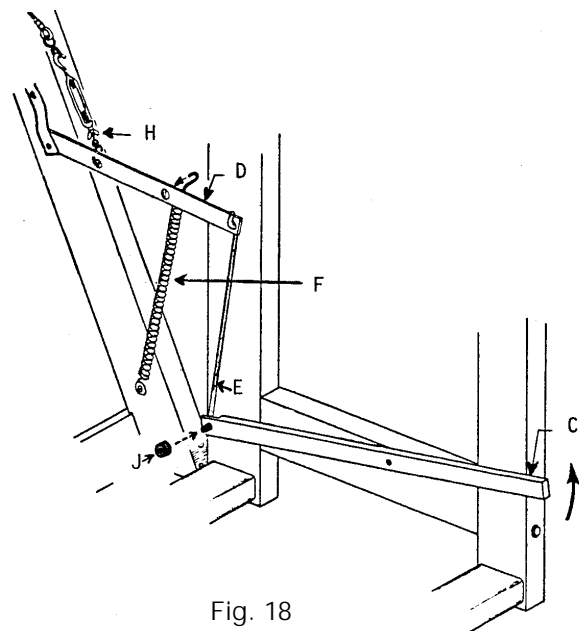


Fig. 18

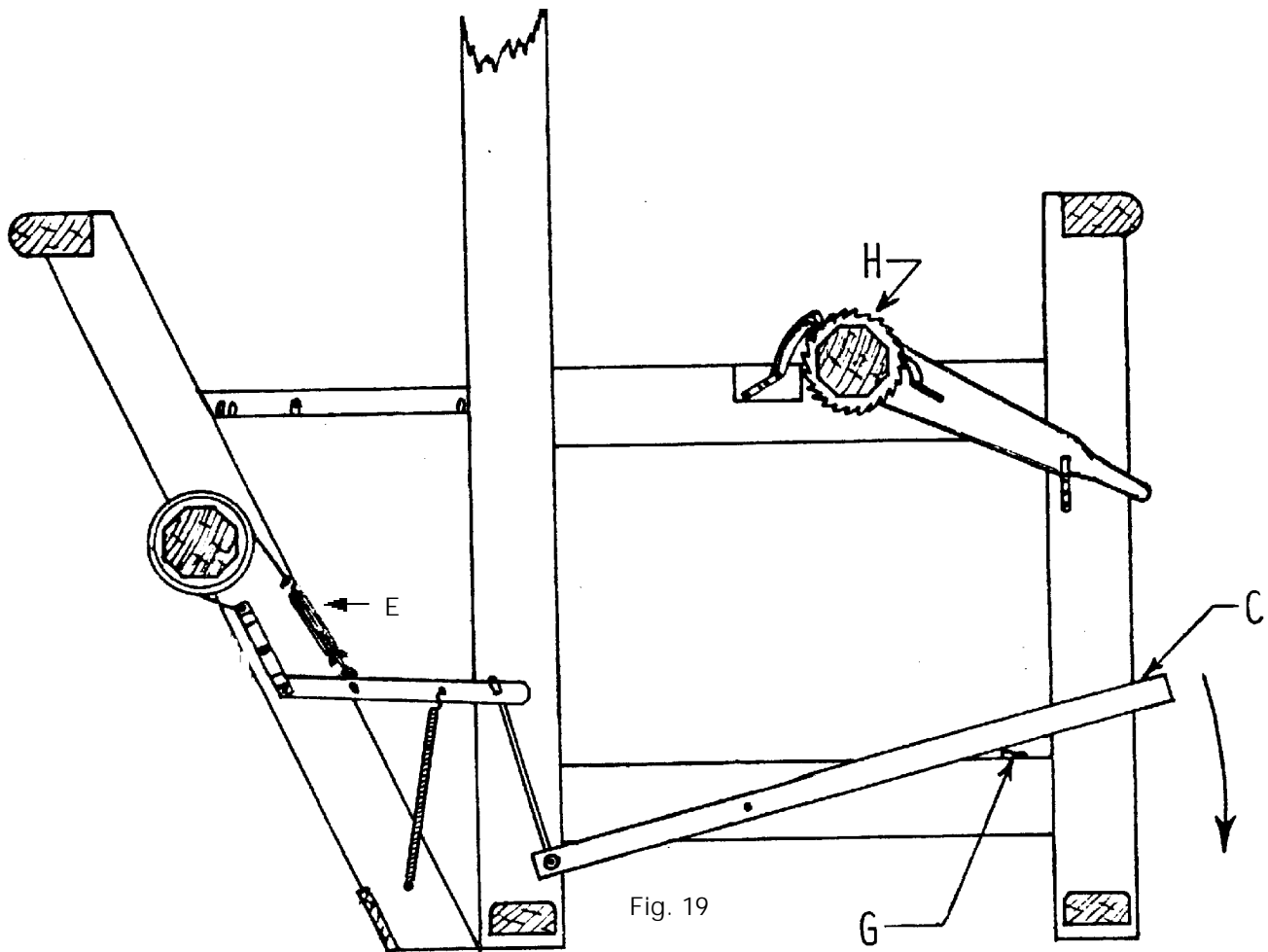


Fig. 19

BRAKE ADJUSTMENT

Release the brake by depressing treadle C and locking it down with catch G. The warp beam should turn freely but the brake circle should not be too slack. If the tension on the brake is too great, unscrew turnbuckle E. If the tension is too slack, tighten turnbuckle slightly and secure adjustment with the wing nut.

The warp beam should not unroll when the brake is on. If it does, the tension on the circle is too slack or the circle is not installed properly.

BEAMING

Release the brake by depressing the brake treadle C and locking it down with catch G.

WEAVING

To advance the warp, depress brake treadle C and turn cloth beam H at the same time. Then, release brake treadle C (engaging the brake) and advance the cloth beam until the desired tension is achieved.

Maintenance

See "Warp and Weave" book.

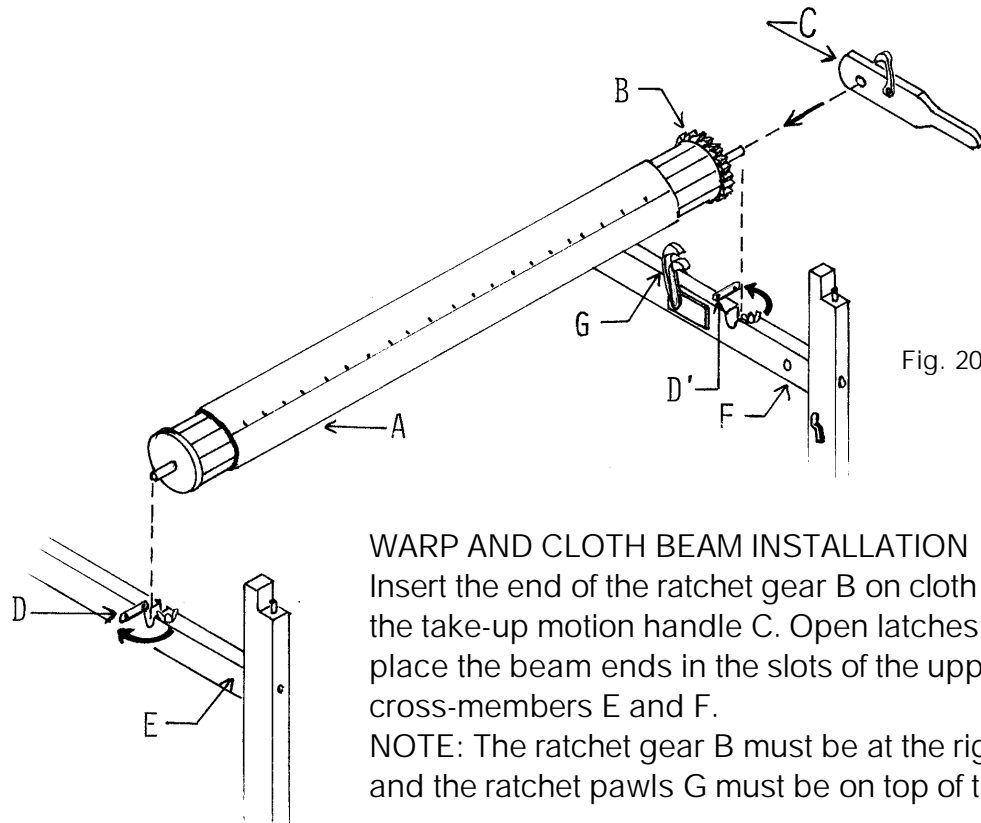


Fig. 20

WARP AND CLOTH BEAM INSTALLATION

Insert the end of the ratchet gear B on cloth beam A into the take-up motion handle C. Open latches D and D' and place the beam ends in the slots of the upper side cross-members E and F.

NOTE: The ratchet gear B must be at the right-hand side and the ratchet pawls G must be on top of the gear.

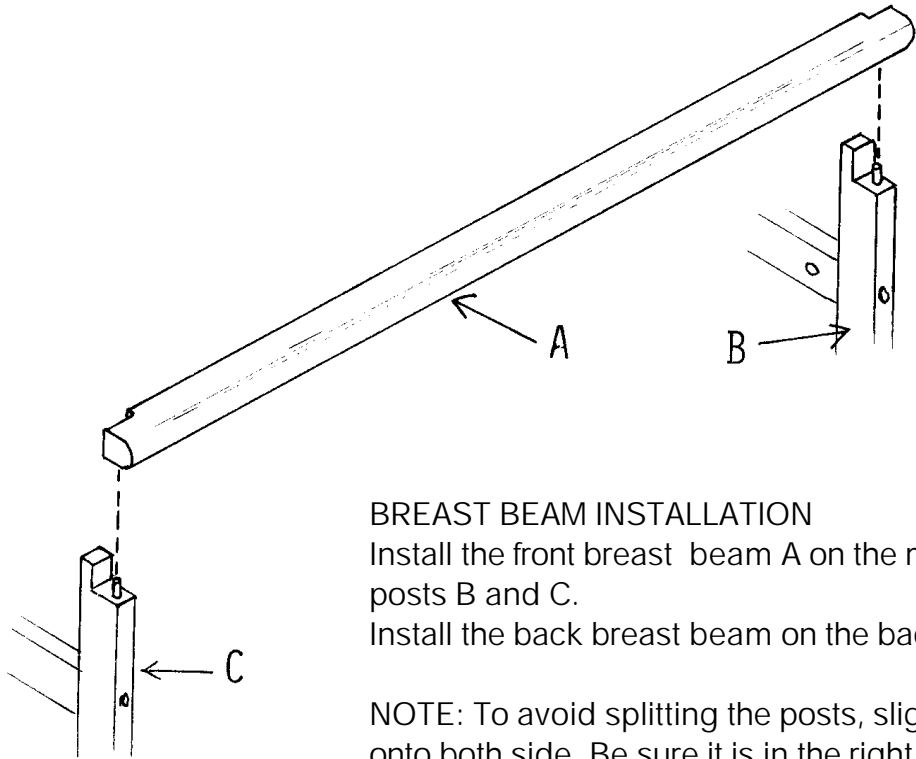


Fig. 21

BREAST BEAM INSTALLATION

Install the front breast beam A on the metal studs of front posts B and C. Install the back breast beam on the back posts.

NOTE: To avoid splitting the posts, slightly insert the beam onto both side. Be sure it is in the right position before inserting completely.

FIRST TREADLE TIE-UP

Select any treadle and tie the Lams to the Treadles using the 7" cords supplied with the loom. Take the heddle hook to help make passing the cord through each hole of the lam easier.

Fig. 22

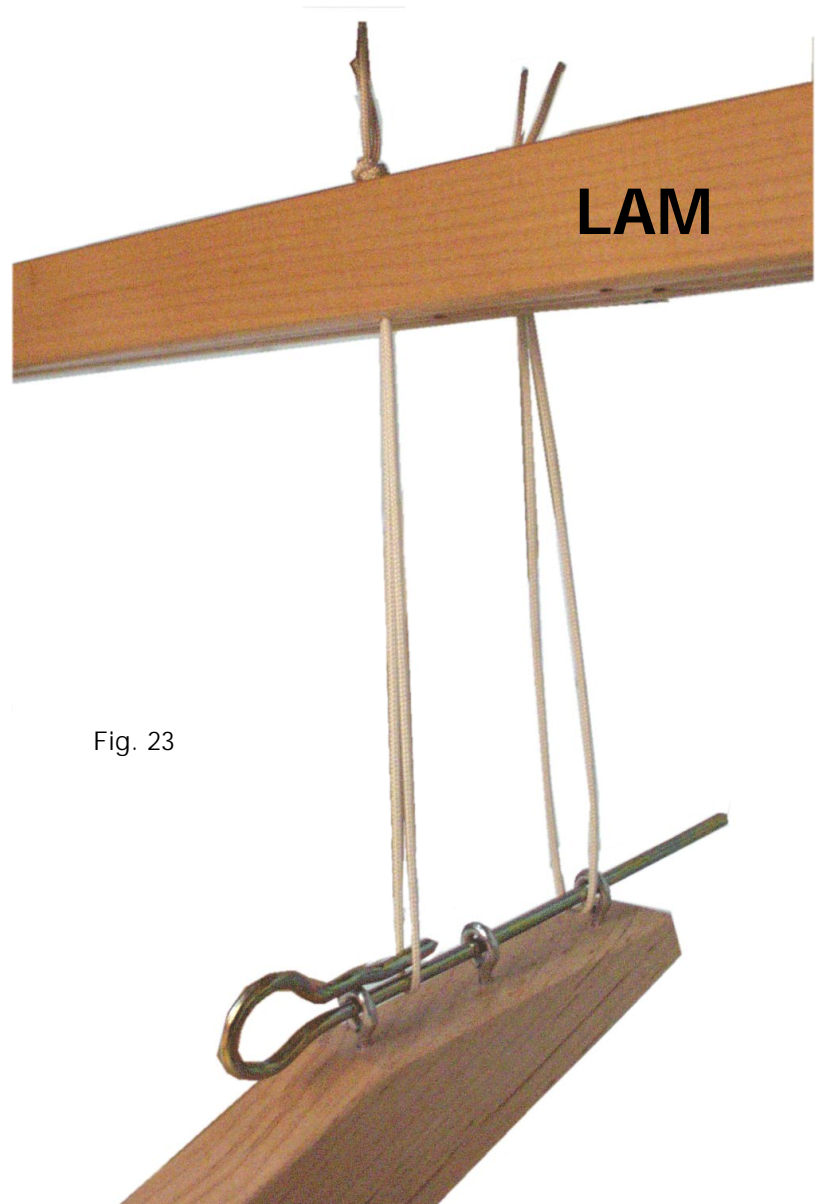
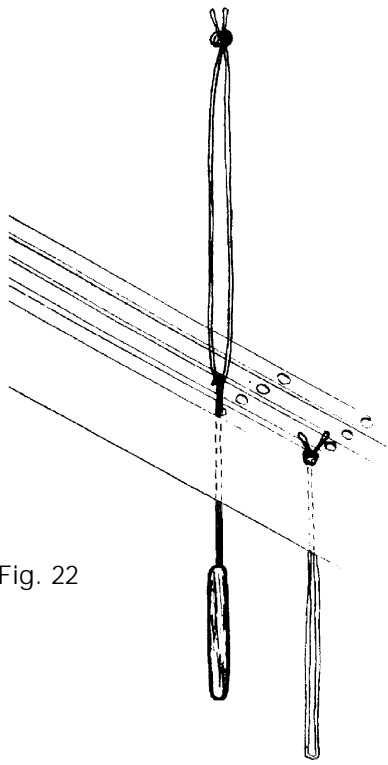


Fig. 23

Slide the Treadle Hook through the Screw Eyes and Cord Loops. (Fig. 23)

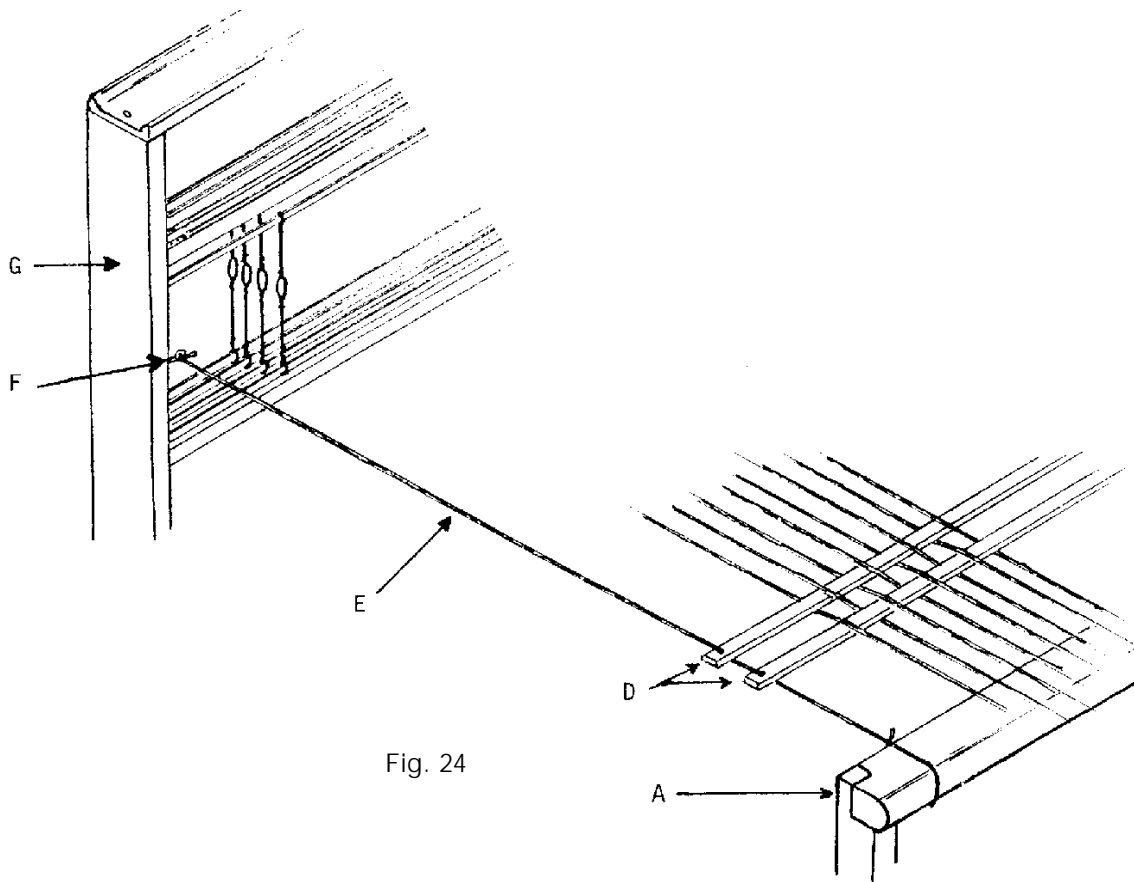


Fig. 24

SCREW EYES FOR LEASE STICKS

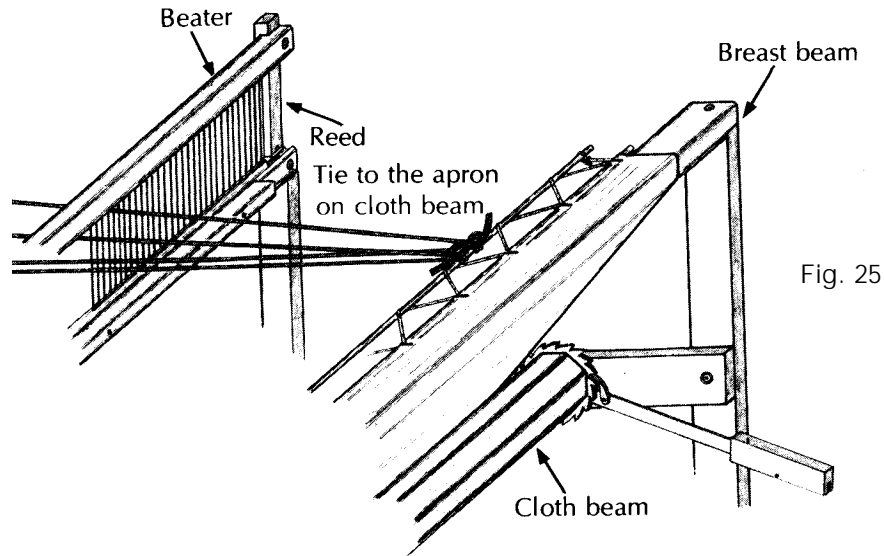
Affix screw eyes F to the holes inside middle posts G.

Pass a string E through the holes on each side of the lease sticks D, and tie to the screw eyes F and to the thread beam A.

The lease sticks will now be held at the right height and distance from the shaft frame for easy threading. (fig 24)

If the loom is equipped with a sectional warp beam, affix the rake-like pieces (following the instructions supplied with the sectional warp beam) and do the following procedures on the cloth beam only.

If the loom is not equipped with a sectional warp beam, affix the apron to the warp beam with tacks and do the following procedures on the warp and cloth beams.



Insert a warp rod into the apron border.

For the 36" and 45" looms
(90cm and 115cm)

For the 60" loom
(150cm)

Cut the 5 yard (4.5m) cord in half.
Use one half of the cord to lace the
apron warp rod to a second warp rod.
This second warp rod will be used to
attach warp threads. (Fig. 25)

Use a 5 yard (4.5m) cord to lace the
apron warp rod to a second warp rod.
This second warp rod will be used to
attach warp threads. (Fig. 25)

For more information see the book "Warp & Weave" supplied with the loom.

**We at Leclerc encourage Weaver feedback on this and all
our products. Please
send your comments to Leclerc Loom Co.**

HAPPY WEAVING