

Instructions for the Leclerc Voyageur Loom 8s 9½" weaving width



The Loom shipping container includes the following:

- 1) 1 Loom assembled and folded with a 12 Dent Stainless Steel Reed
- 2) 400 Inserted Eye Heddles (or texsolv heddles)
- 3) 2 Crank handles
- 4) 1 Leclerc Boat Shuttle 6122-0000 (Slim)
- 5) 1 Leclerc Reed and Heddle Hook 6141-7000
- 6) 2 metal Lease Sticks
- 7) 3 Metal Warp Rods
- 8) 10X, 12" (31 cm) loop cords for lashing
- 9) 1 Phillips Screwdriver
- 10) 2 transfer heddle bars app. 10.5"
- 11) The book "Warp and Weave" by Robert Leclerc



To unfold and operate the Loom.

1) Please note there are four (4) side hooks that secure the loom. The two(2) front hooks are secured at the center of the frame. The two(2) back hooks are secured in the front hole position and hold the loom in the closed(folded) position. Loosen the side back hooks from the front position. Loosen the front hooks from the top frame position. Unfold and open the Loom. Tighten all 4 side hooks to the frame.(see picture)

2) Install the Warp and Cloth Beam Cranks.

The loom is shipped from the factory with the warp and cloth beams in the transport location (located under the Shafts). Unscrew the bolts holding the beams in place and move the warp beam to the normal back position(below the whip roll) and screw in the crank. Remove the cloth beam from the lower front castle position to the normal front position below the Breast Beam and screw in the crank.(Retain the screws for future folding)

3) Levers

The levers and shafts work with magnets. The shafts are held in the upper position when they are in contact with the magnets. The levers and cords are set at the factory. They should not need adjustment. Call Technical assistance if you have a problem.

4) Beater

The height of the beater has been set at the factory. If the beater needs adjustment, it should be set so the warp threads just touch the bottom of the reed when the beater is in the back, rest position.

To fold the Loom for travel:

- 1) Remove both Beam Cranks and reinstall the 1/4" Screws loosely (Finger tight).
 - 2) Loosen the side Hooks.
 - 3) Lift both Cloth Beam Ratchet Pawls and fold the front of the Loom. Secure the front side Hooks to the top center of the Castle sides.
 - 4) Fold the back of the Loom and secure the back side Hooks to the front Bolt position.
- NOTE: WHEN TRAVELLING, USE THE SPECIAL STORAGE SPACE PROVIDED WITH THE LOOM FOR WARP AND CLOTH BEAM PROTECTION AND USE THE VELCRO BAND TO SECURE THE SHAFTS IN PLACE(As the loom was shipped from the Factory)
- 5) Raise all Shafts to the upper position.
 - 6) Remove the screw from the Warp Beam and Move Warp from its normal position to its travel position. Slip Warp Beam under Shafts(#8-#4) at rear of Loom, journal end first, and guide journal into hole drilled in Castle side. Align Ratchet end with the hole drilled in opposite side Castle and insert transport screw to secure. Tighten.
 - 7) Remove the screw from the Cloth Beam and move Beam to Hangers at bottom front of Castle sides and secure with transport screw. Tighten.

TO TRANSPORT EXTRA WARPED BEAMS FOR WORKSHOPS, FOLLOW PROCEDURE FOR "TO FOLD LOOM FOR TRAVEL" BUT DO NOT MOVE THE WARP AND CLOTH BEAMS. LEAVE IN OPERATING POSITION FOLDED. INSERT AND SECURE EXTRA WARPED BEAMS IN LOWER TRANSPORT POSITIONS.

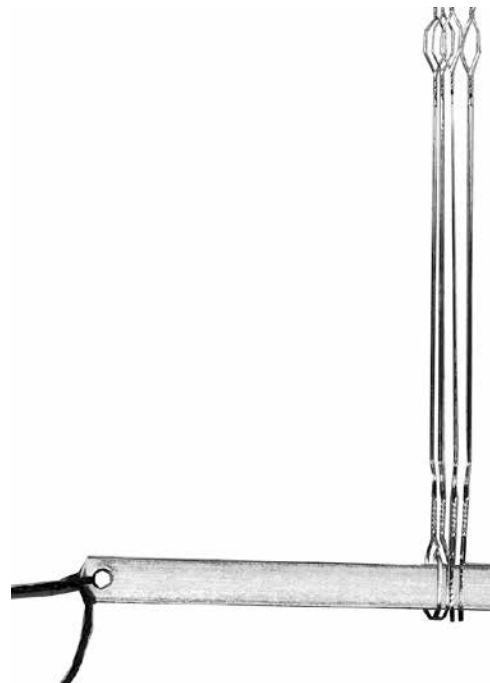
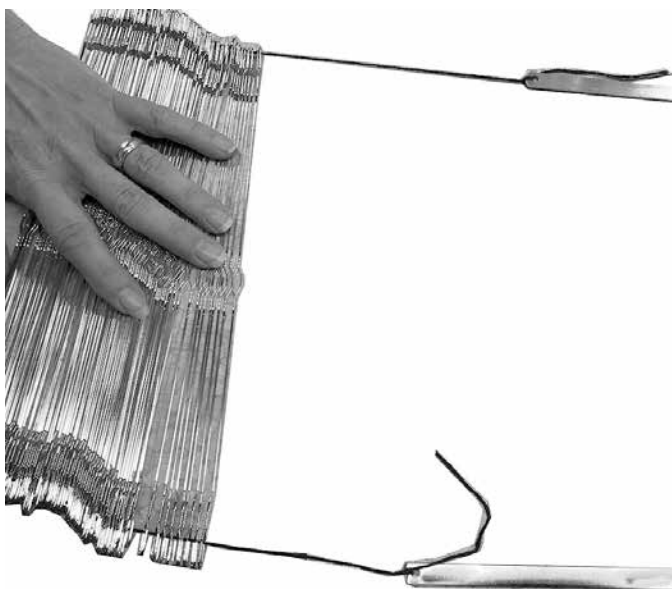
NOTE: WHEN TRANSPORTING LOOM, COVER ALL RATCHET GEARS WITH PADDING TO PROTECT FROM DAMAGE.



Changing heddles:

- 1) Lay the Loom on its left side(the side opposite the Cloth and Warp Beam Handles.), or fold up the back of the loom and lay the loom on its back.
- 2) Remove the loop cord from the lever of the shaft you want to change the heddles on .
- 3) Remove the shaft(s) from the Loom through the bottom by holding the ends of the Heddle Bars so that the Bars will not slip out of the Frames.
- 4) After making the desired changes, reverse the procedure to replace the Shafts. Please note that each Shaft is numbered. It is important that each Shaft be returned to its numbered slot (#1 is in front and #8 is in back) Each Lever/Shaft Cord must be replaced in its proper hole in the Lever/Shaft Guide Board(holey board). #1 is closest to the front and #8 is the furthest hole to the back.

If you have a large number of Heddles to transfer, you can use the 10.5" transfer bars supplied with the loom.



PREPARING (Stringing) WARP AND CLOTH BEAMS:

- 1) Into 5 evenly chosen holes on each beam, thread one length of the loop cord.
- 2) Thread each loop cord back through itself, using the first hole in the Cord, as it comes out of the beam and pull tight.
- 3) Using the last hole of the free end on each Cord, pull a portion of the Cord through the hole forming a Loop. (A crochet hook can help you)
- 4) Slip a Bar thru each loop of all cords and pull tight. (See diagram)

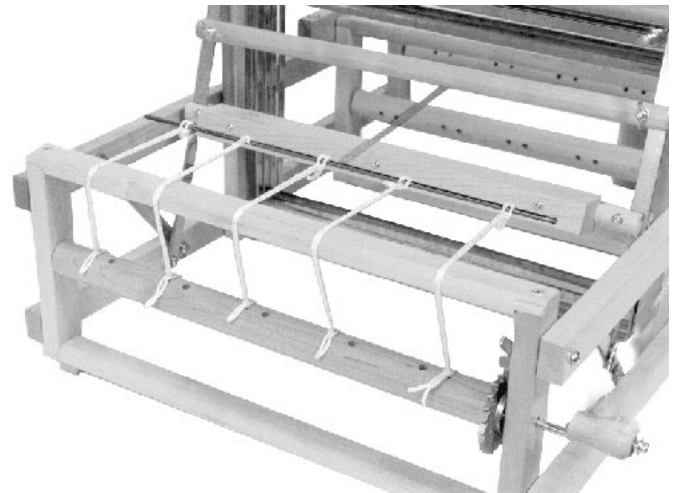


Voyageur Loom Shaft Adjustment:

Voyageur Looms are shipped from the Factory with the Shafts preset for initial weaving. As the Shaft Frames and Cords relax under weaving tension, the Shaft height may need to be readjusted.

To adjust the Shaft height:

- 1) Set the Shaft in the raised position (Magnets in contact).
- 2) Place your little finger (Pinky) over the Hole and Cord in the Castle Top holding the Cord firm. Release the Lever.
- 3) Draw the slack through the Lever Cord Hole and set the new Cord position by advancing or backing off one Loop Hole over the Locking Pin (Screw Head) on the Lever.



PROMPTLY CALL YOUR DEALER OR LECLERC FOR ANY QUESTIONS.

**LECLERC LOOMS
P.O. BOX 4
1573 Savoie
PLESSISVILLE QC. CANADA
G6L 2Y6
Tel: 819-362-7207
Fax: 819-362-2045
www.leclerclooms.com
email: info@leclerclooms.com**